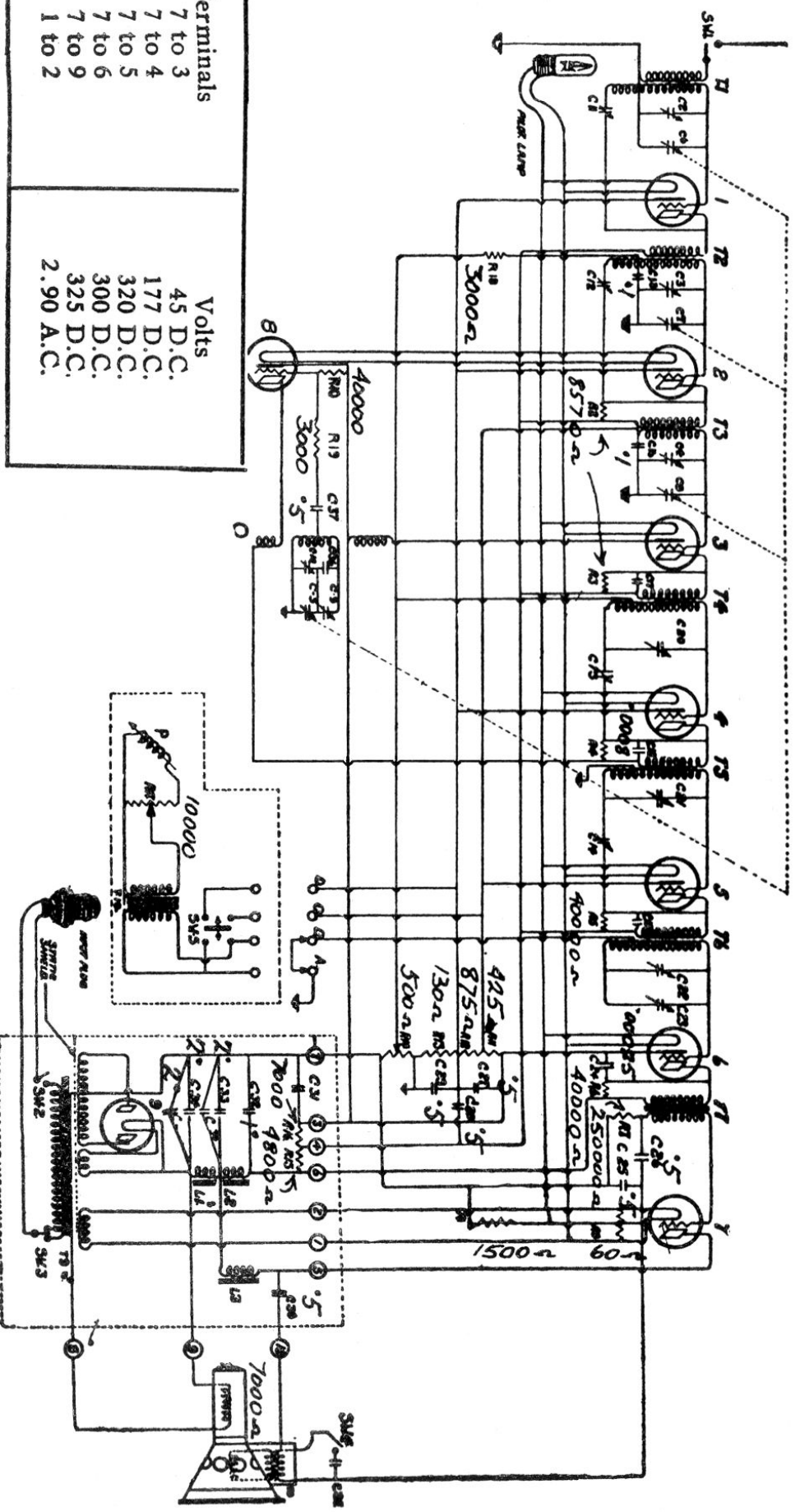


1929-30
Model 99
Model 99-A
(Super-Het.)
Consoles.



Terminals	Volts
7 to 3	45 D.C.
7 to 4	177 D.C.
7 to 5	320 D.C.
7 to 6	300 D.C.
7 to 9	325 D.C.
1 to 2	2.90 A.C.

VOLUME CONTROL AT MAXIMUM

1	32	3.2	+80	2.5	2.20
2	32	3.2	+80	3.0	2.25
3	15	3.5	+70	0.8	2.25
4	32	3.2	+80	4.0	2.25
5	32	3.2	+80	4.0	2.25
6	15	20*	+225	0.7	2.25
7	15	10*	+210	27.0	2.40
8	15	0	+65	5.0	2.25

Printed in Canada

DATA SHEET

(For other Radiola Models see C.G.E. Data Sheets).

WESTINGHOUSE—6

—Courtesy Canadian Westinghouse Co. Limited