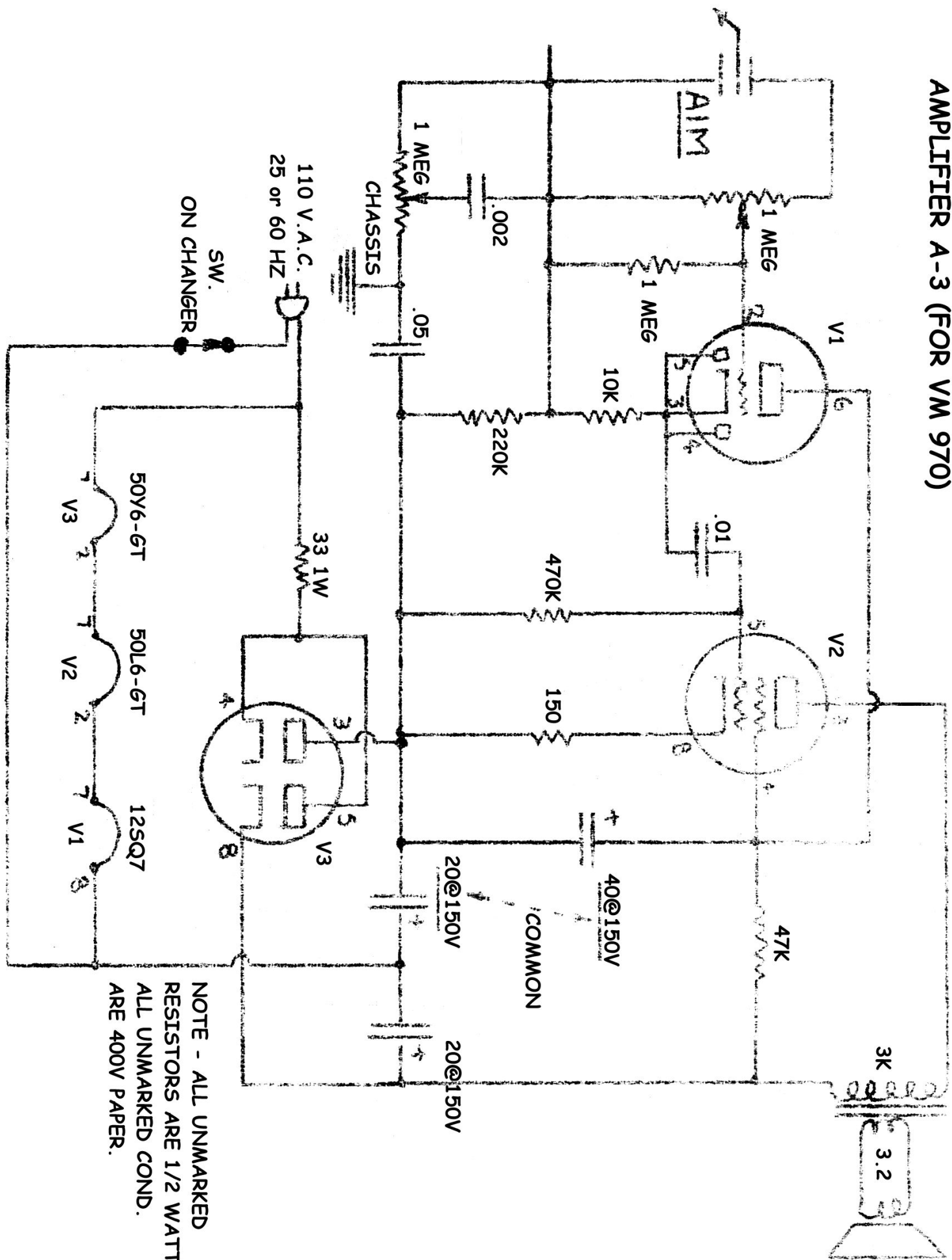


AMPLIFIER A-3 (FOR VM 970)



NOTE - ALL UNMARKED RESISTORS ARE 1/2 WATT ALL UNMARKED COND. ARE 400V PAPER.