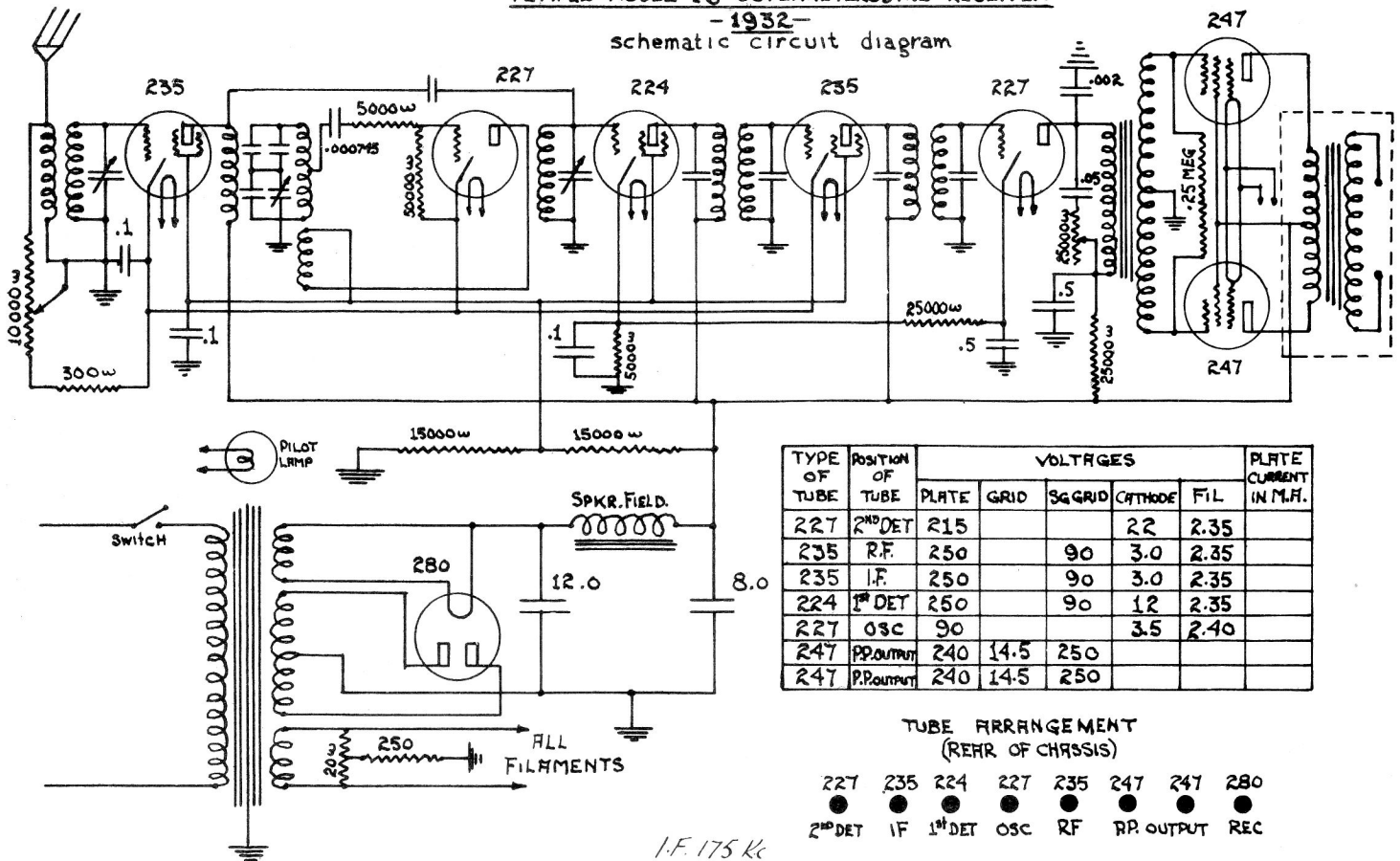


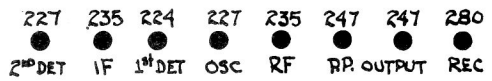
TEMPLE MODEL 16 SUPERHETERODYNE RECEIVER

-1932-
schematic circuit diagram

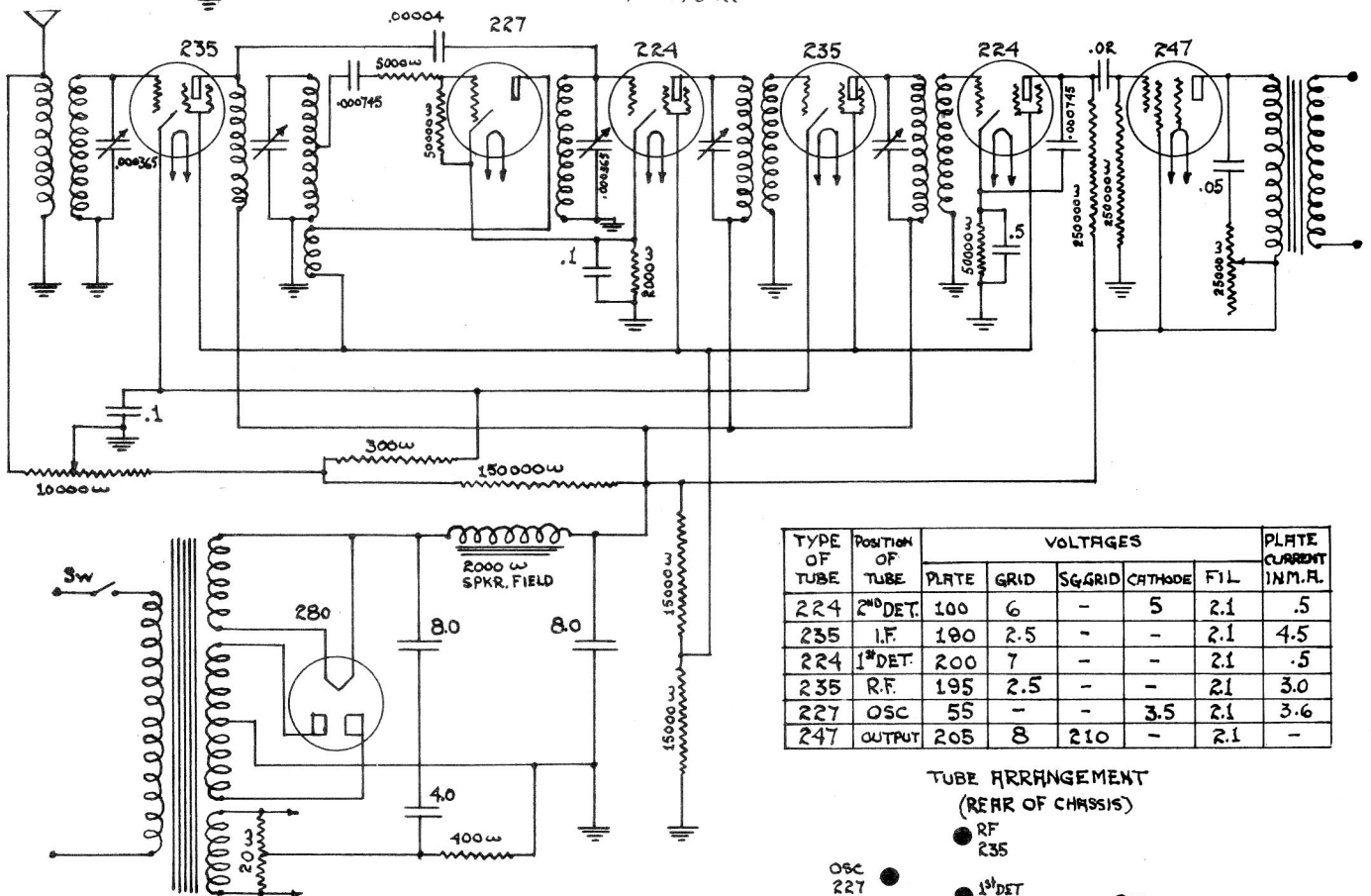


TYPE OF TUBE	POSITION OF TUBE	VOLTAGES					PLATE CURRENT IN M.A.
		PLATE	GRID	SG GRID	CATHODE	FIL	
227	2 ND DET	215			22	2.35	
235	R.F.	250		90	3.0	2.35	
235	I.F.	250		90	3.0	2.35	
224	1 ST DET	250		90	12	2.35	
227	OSC	90			3.5	2.40	
247	PP OUTPUT	240	14.5	250			
247	PP OUTPUT	240	14.5	250			

TUBE ARRANGEMENT
(REAR OF CHASSIS)

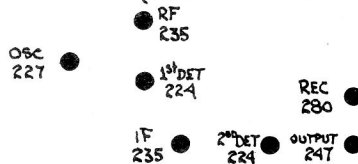


I.F. 175 Kc



TYPE OF TUBE	POSITION OF TUBE	VOLTAGES					PLATE CURRENT IN M.A.
		PLATE	GRID	SG GRID	CATHODE	FIL	
224	2 ND DET.	100	6	-	5	2.1	.5
235	I.F.	100	2.5	-	-	2.1	4.5
224	1 ST DET.	200	7	-	-	2.1	.5
235	R.F.	195	2.5	-	-	2.1	3.0
227	OSC	55	-	-	3.5	2.1	3.6
247	OUTPUT	205	8	210	-	2.1	-

TUBE ARRANGEMENT
(REAR OF CHASSIS)



TEMPLE MODELS 17, 18, 19 AND 23 SUPERHETERODYNE RECEIVERS

-1931-
schematic circuit diagram