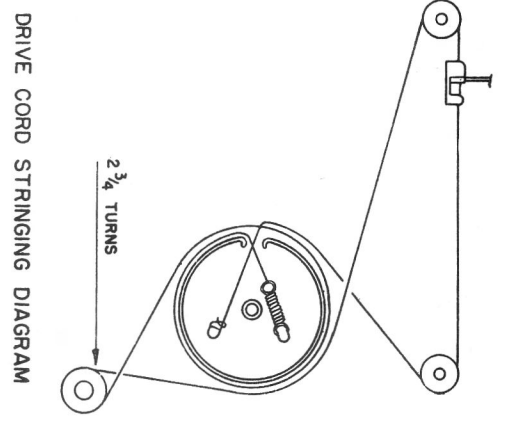


Stromberg-Carlson Model 1061 AC/DC Receiver Schematic, Alignment, Etc



ALIGNMENT PROCEDURE 1061

Band and Pointer Setting	Signal Generator	Input & Dummy	Output	Adjustments
--------------------------	------------------	---------------	--------	-------------

A.M. I.F. ALIGNMENT

- Low end of dial 455 kc. .1 mfd. to pin #1 12BA6 tube
- High end of scale 1650kc. Apply signal through standard loop or equivalent
- Adjust the iron cores (top and bottom) of the 2nd I.F. transformer for maximum output. Use minimum input signal.
 - Adjust the iron cores (top and bottom) of the 1st I.F. transformer for maximum output. Use minimum input signal.
 - Repeat steps 1 and 2.

A.M. R.F. ALIGNMENT

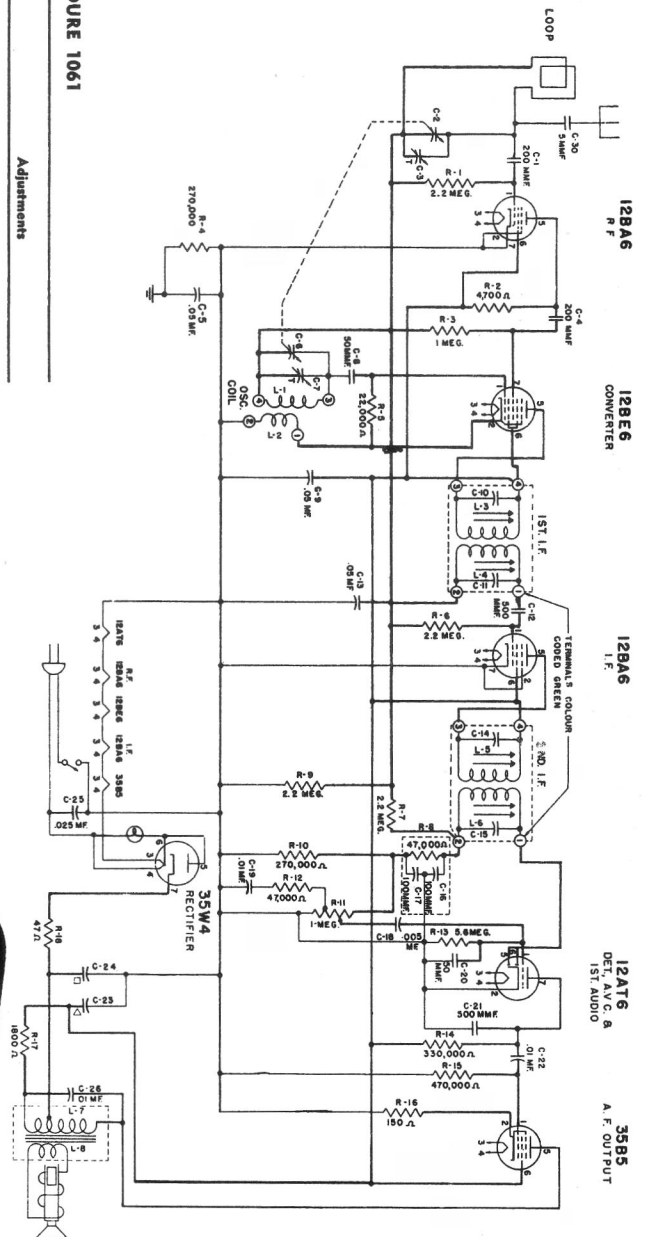
Adjust pointer with gang fully meshed to coincide with set-up point at top left-hand edge of dial frame.

- 1400 kc. 1400kc. Apply signal through standard loop or equivalent
- Adjust oscillator trimmer capacitor to just tune through 1650 kc. without going off the end of the scale.
 - Adjust antenna trimmer capacitor for correct tracking and maximum sensitivity. 'Rock' gang during adjustment.
 - Check sensitivity at 1600 kc. and 600 kc.

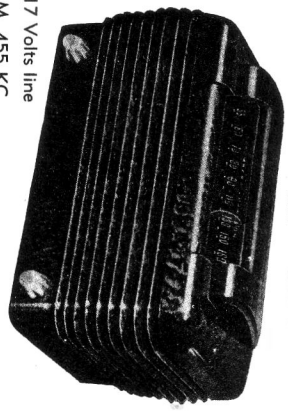
VOLTAGE CHART FOR MODEL 1061

SOCKET	FUNCTION	1	2	3	4	5	6	7	8
12BA6	R. F. Amplifier	-3	0	(9)	(21)	30	65.	0	
12BE6	Converter	-3.	0	(21)	(33)	65.	65.	-.1	
12BA6	I.F. Amplifier	-.25	0	(33)	(46)	65.	70.	0	
12AT6	Demod., AVC, 1st. Audio	-.3	0	(9)	0	-2.2	-2.2	30.	
35B5	Power Output	0	3.8	(46)	(63)	107.	65.	0	
35W4	Rectifier	-	112	(63)	(100)	(100)	-	112.	

Total D.C. current drain 50 ma. Line volts 117. Frequency 25 cycles. Taken with a Weston #779 Analyzer.



MODEL	CHASSIS	CABINET	SPEAKER
1061 HI	02691	108984	155013
1061 HW	02691	108985	155013



Input Power Rating..... 25 watt (.23 amps) 117 Volts line
 Intermediate Frequency..... A.M. 455 Kc.
 Speaker Voice Coil Impedance at 400 cycles 3.5 ohms (approx.)
 Power Output..... Maximum 1. watt, 10% distortion .75 watts

1061 H.W.

