

DIRECTION OF ARROWS AT CONTROLS INDICATES CLOCKWISE ROTATION. UNLESS OTHERWISE SHOWN CAPACITIES IN μf , RESISTANCES IN OHMS.

Sparton 8F1-P Trio Grande

RADIO ALIGNMENT PROCEDURE

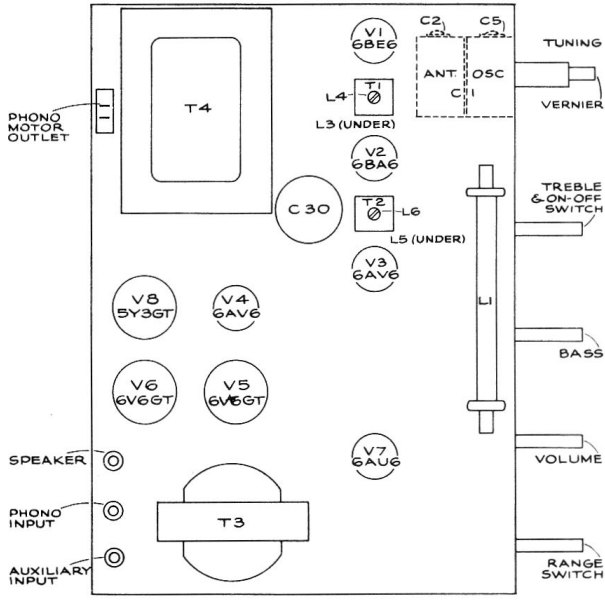
At least 15 minutes warm up period should be allowed before adjustments are made.

- Connect Signal Generator to Antenna Terminal and adjust Generator to 455 Kcs.
- Set tuning capacitor to approximately 1500 Kcs and adjust IF iron cores starting with T2 adjust L6 then L5. Next adjust L4 then L3 of T1 for maximum output.
- With tuning capacitor set to minimum capacity and Signal Generator set to 1640 KCS adjust trimmer C5 to set oscillator. (Tuning range 1640 to 535 Kcs.)
- With Signal Generator set at 1500 Kcs tune in and adjust trimmer C2 for maximum output.

LOOP PADDER

Adjusted for optimum loop performance at factory. Field adjustment usually is unnecessary.

- With Signal Generator and Dial set at 600 Kcs adjust loop padder for maximum output.
- Reset Signal Generator and Dial to 1500 Kcs and rock the tuning capacitor while adjusting C2 for maximum output.



TOP VIEW OF CHASSIS

