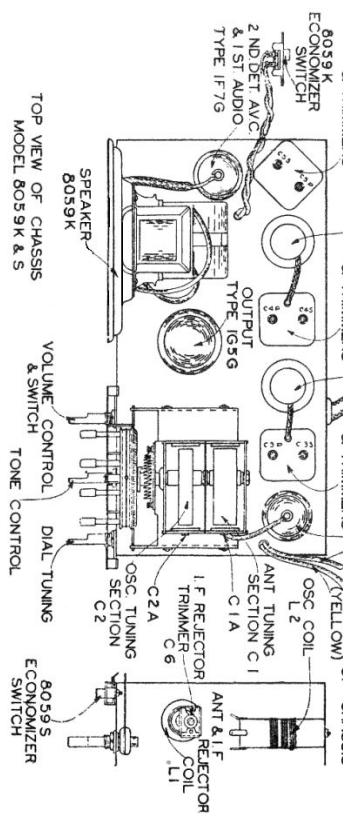
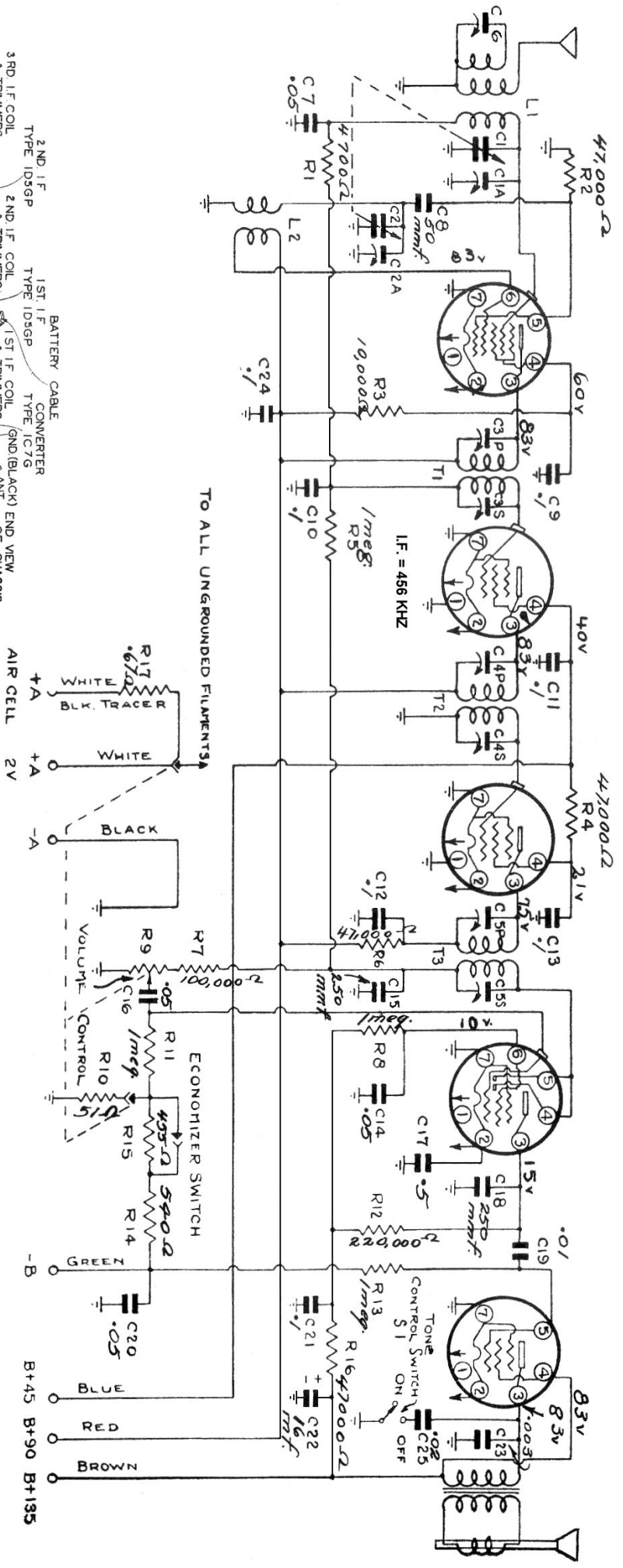


ANT 1C7G CONVERTER 1D5GP 1ST. I.F. 1D5GP 2ND. I.F. 1F7G 2ND. DET. AVC. 1ST. AUDIO 1G5G OUTPUT P.M. DYNAMIC SPKR



Spartan Models 8059-K, S Battery Operated Receiver Service Information

Sparton Model 8059-K,S Battery Receiver

Alignment Information

I. F. ALIGNMENT—

With the service oscillator set at 456 K.C. and the oscillator load connected to the 1C7G grid cap. adjust trimmers C3p, C3s, C4p, C4s, C5p and C5s for maximum output. The selector should be turned out or opened while making these adjustments.

I.F. REJECTOR —

With the service oscillator set at 456 K.C. and its output lead attached to the aerial of the chassis, adjust trimmer C6 for minimum output. Caution—Make sure the chassis is not tuned to a harmonic of 456.

R.F. ALIGNMENT—

1. OSCILLATOR TRIMMER

With the service oscillator tuned to 1500 K.C., adjust trimmer C2A until signal is tuned in, when dial is set at 1500.

2. ANTENNAE TRIMMER

With service oscillator set at 1500 K.C., adjust C1A for maximum output.