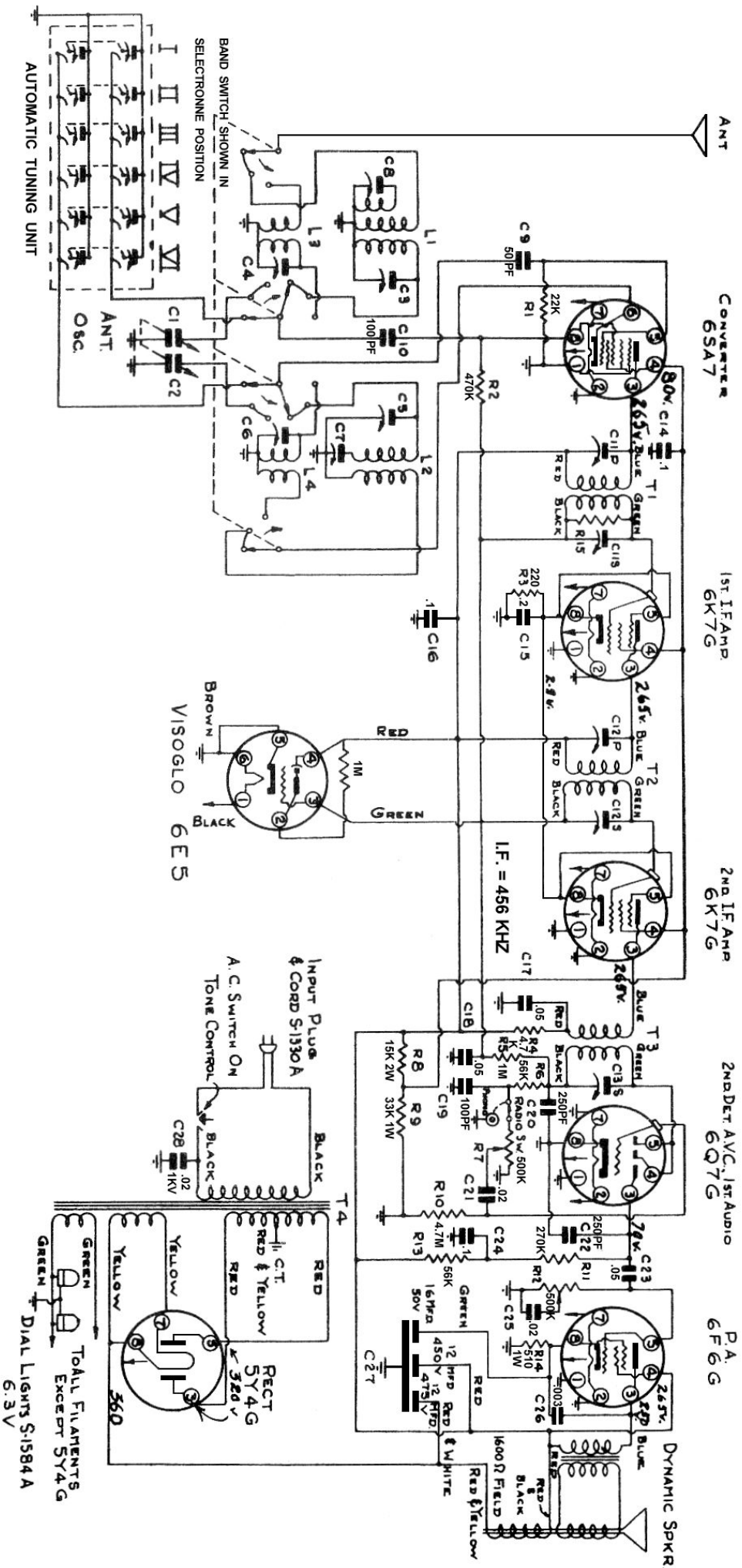


Top View Of All Socket Connections



# Sparton Model 7241

# Sparton Model 7241 Alignment Data

## I. F. ALIGNMENT—

With the service oscillator set at 456 K.C. and the oscillator lead connected to the aerial terminal, adjust trimmers C11p, C11s, C12p, C12s and C13s, for maximum output. The selector should be turned out or opened while making these adjustments.

## I. F. REJECTOR—

With the service oscillator set at 456 K.C. and its output lead attached to the aerial of the chassis, adjust trimmer C8 for **minimum** output. Caution—Make sure the chassis is not tuned to a harmonic of 456.

## B. C. - R. F. ALIGNMENT

Before commencing R. F. alignment, the pointer should coincide with the first scale mark on the dial when the selector plates are fully closed.

### 1. OSCILLATOR TRIMMER

With the service oscillator tuned to 1500 K.C., adjust trimmer C5 until signal is tuned in, when dial is set at 1500.

### 2. OSCILLATOR PADDER

With service oscillator tuned to 600 K.C., adjust C7 until dial reads 600 K.C.

### 3. ANTENNA TRIMMER

With service oscillator set at 1500 K.C., adjust C3 for maximum output.

## S. W. - R. F. ALIGNMENT—

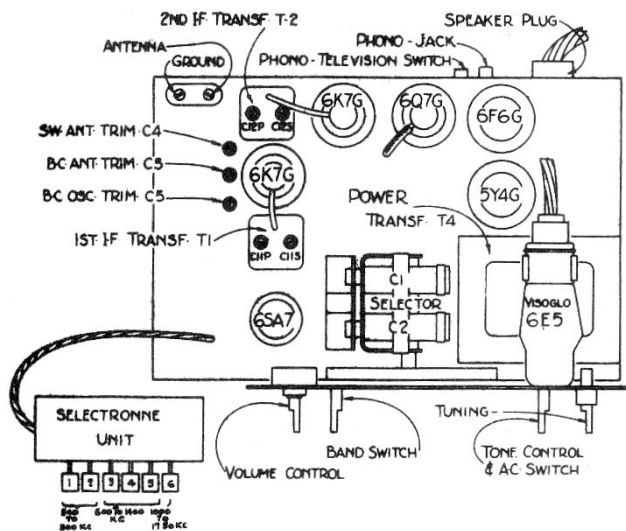
### 1. OSCILLATOR TRIMMER

With the service oscillator tuned to 15 megacycles, adjust trimmer C6 until dial reads 15 meg.

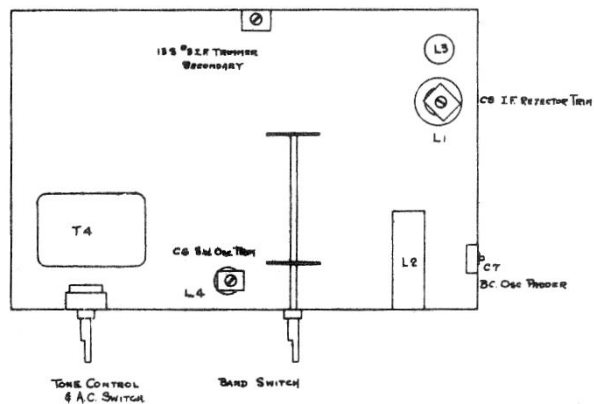
NOTE—Be sure that the signal tuned in is the lower frequency and not the higher or image which should tune at approximately 15.9 meg.

### 2. ANTENNA TRIMMER

With service oscillator at 15 meg., adjust C4, while rocking the dial for maximum output.



Top View of Model 7241



Bottom View of Model 7241