

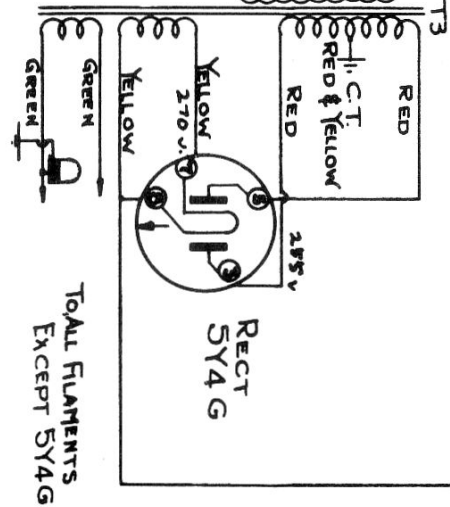
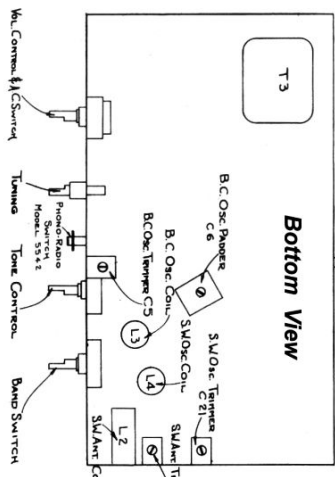
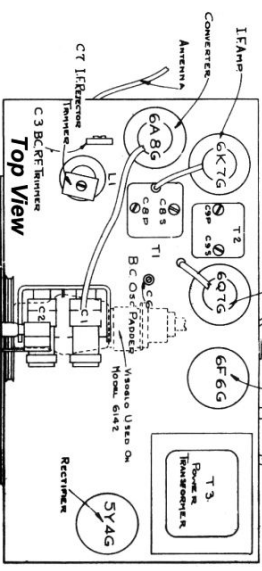
CONVERTER  
6A8G

IF AMP  
6K7G

2ND DET. AF/CL AUDIO  
6Q7G

P.A.  
6F6G

MISOGL0  
GE5  
USED ON 6142



# Sparton Models 6142 & 5342

# Sparton Models 6142 & 5342 Alignment Data

## **I. F. ALIGNMENT—**

With the service oscillator set at 456 K.C. and the oscillator lead connected to the 6A8G grid cap, adjust trimmers C8p, C8s, C9p, C9s for maximum output. The selector should be turned out or opened while making these adjustments.

## **I. F. REJECTOR—**

With the service oscillator set at 456 K.C. and its output lead attached to the aerial of the chassis, adjust trimmer C7 for minimum output. Caution—Make sure the chassis is not tuned to a harmonic of 456.

## **B. C. - R. F. ALIGNMENT**

### **1. OSCILLATOR TRIMMER**

With the service oscillator tuned to 1500 K.C., adjust trimmer C5 until signal is tuned in, when dial is set at 1500.

### **2. OSCILLATOR PADDER**

With service oscillator tuned to 600 K.C., adjust C6 until dial reads 600 K.C.

### **3. ANTENNA TRIMMER**

With service oscillator set at 1500 K.C., adjust C3 for maximum output.

## **S. W. - R. F. ALIGNMENT—**

### **1. OSCILLATOR TRIMMER**

With the service oscillator tuned to 15 megacycles, adjust trimmer C21 until dial reads 15 meg.

**NOTE—**Be sure that the signal tuned in is the lower frequency and not the higher or image which should tune at approximately 15.9 meg.

### **2. R. F. TRIMMER**

With service oscillator at 15 meg. adjust C4, while rocking the dial for maximum output.