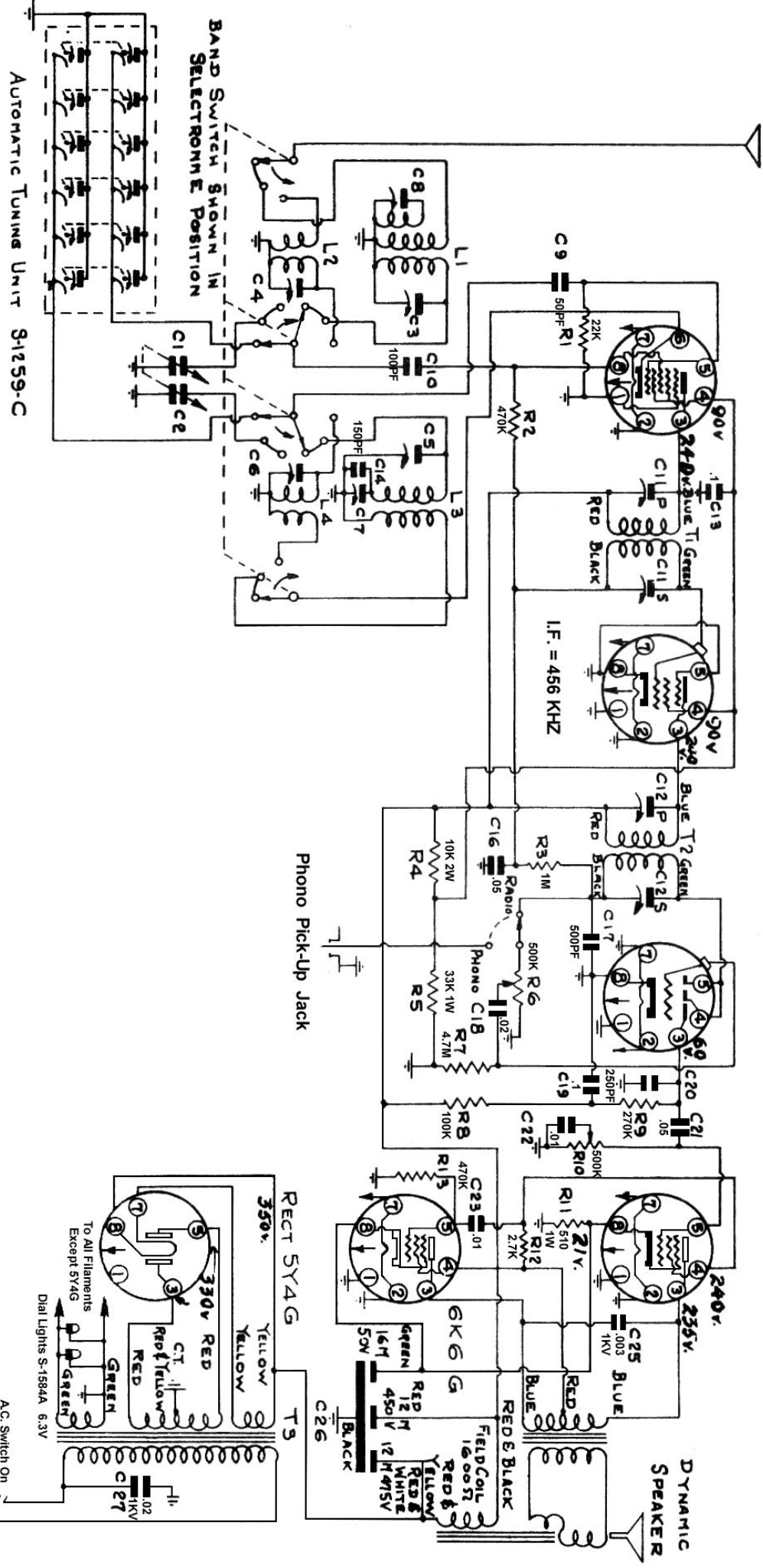


Top View of All Socket Connections

- ANT
- CONVERTER 6SA7
- I.F. AMP 6K7G
- 2ND DET. A.V.C. 1ST. AUDIO 6Q7G
- P.A. IN PUSH PULL 6K6G



Sparton Model 6141

Sparton Model 6141 Alignment Data

I. F. ALIGNMENT—

With the service oscillator set at 456 K.C. and the oscillator lead connected to the aerial terminal, adjust trimmers C11p, C11s, C12p, C12s, for maximum output. The selector should be turned out or opened while making these adjustments.

I. F. REJECTOR—

With the service oscillator set at 456 K.C. and its output lead attached to the aerial of the chassis, adjust trimmer C8 for minimum output. Caution—Make sure the chassis is not tuned to a harmonic of 456.

B. C. - R. F. ALIGNMENT

Before commencing R. F. alignment, the pointer should coincide with the first scale mark on the dial when the selector plates are fully closed.

1. OSCILLATOR TRIMMER

With the service oscillator tuned to 1500 K.C., adjust trimmer C5 until signal is tuned in, when dial is set at 1500.

2. OSCILLATOR PADDER

With service oscillator tuned to 600 K.C., adjust C7 until dial reads 600 K.C.

3. ANTENNA TRIMMER

With service oscillator set at 1500 K.C., adjust C3 for maximum output.

S. W. - R. F. ALIGNMENT—

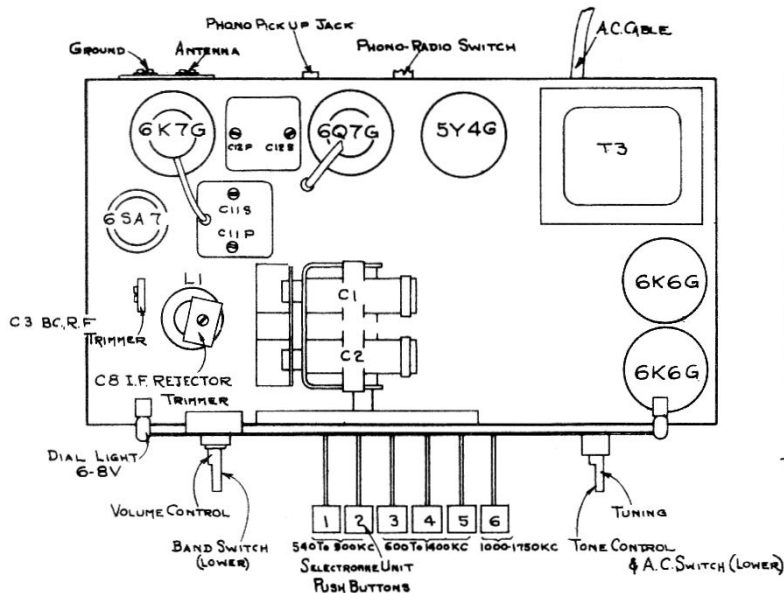
1. OSCILLATOR TRIMMER

With the service oscillator tuned to 15 megacycles, adjust trimmer C6 until dial reads 15 meg.

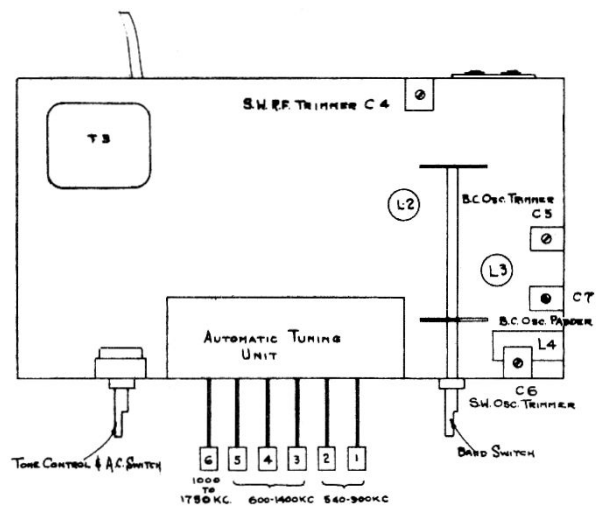
NOTE—Be sure that the signal tuned in is the lower frequency and not the higher or image which should tune at approximately 15.9 meg.

2. ANTENNA TRIMMER

With service oscillator at 15 meg., adjust C4, while rocking the dial for maximum output.



Top View of Model 6141



Bottom View of Model 6141