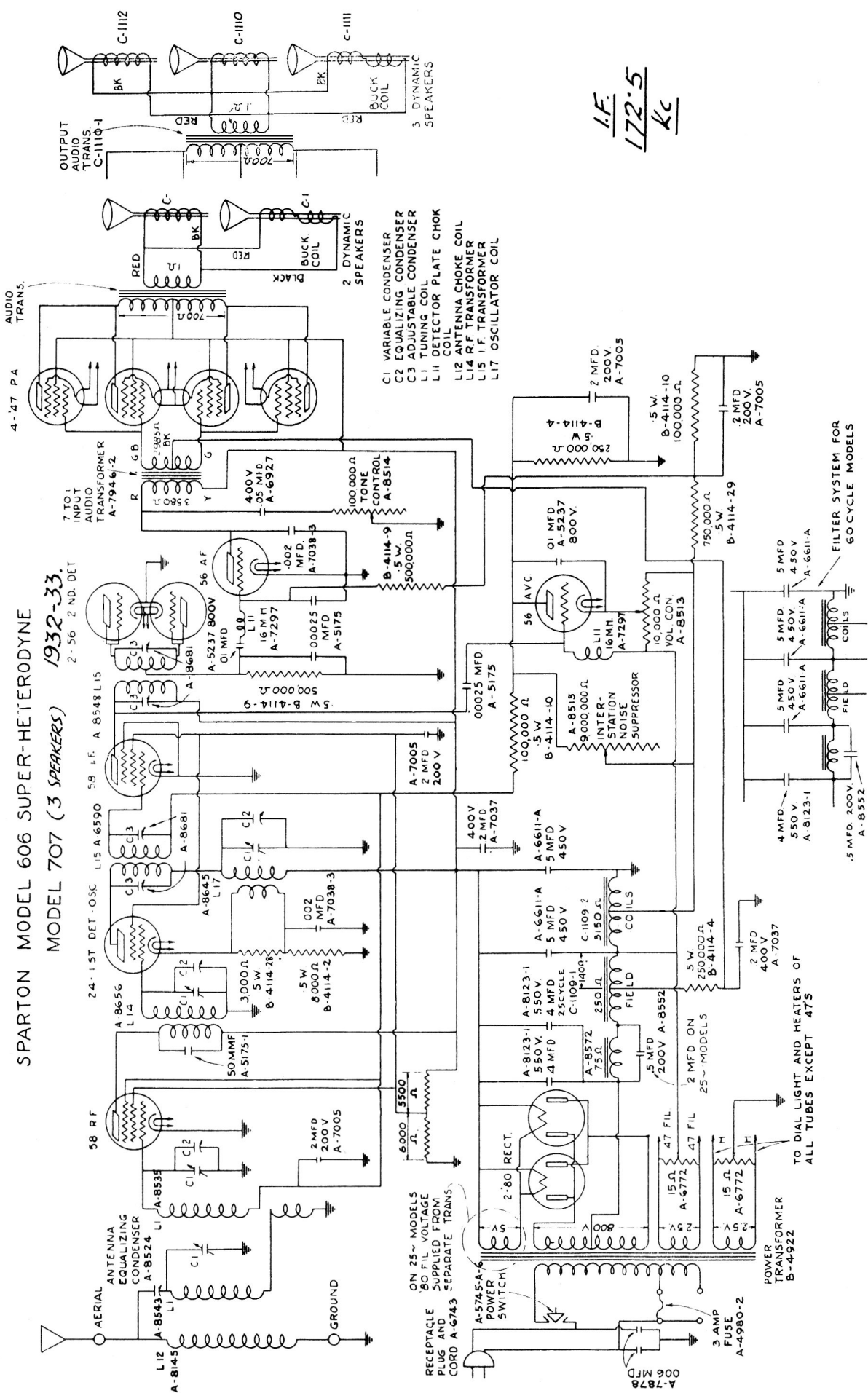
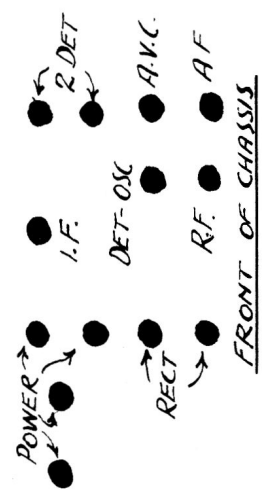


SPARTON MODEL 606 SUPER-HETERODYNE  
MODEL 707 (3 SPEAKERS) 1932-33.



I.F. 172.5 Kc



\* PRESENT ONLY  
WHEN SIGNAL APPLIED  
LINE VOLTS 115  
VOLUME ON FULL

TUBE	POSITION	PLATE VOLTS	GRID VOLTS	SCREEN VOLTS	PLATE No.
58	RF + I.F.	155-190	2-2-2'6	87-110	4-5-8
84	DET-OSC.	"	5-9	"	8-1-4
56	2 DET (Dual)	*	*	*	*
56	A.F.	140-180	7-11		4-7
"	A.V.C.	30-50	50-80		
47	POWER	260-310	22-28	270-320	20-30