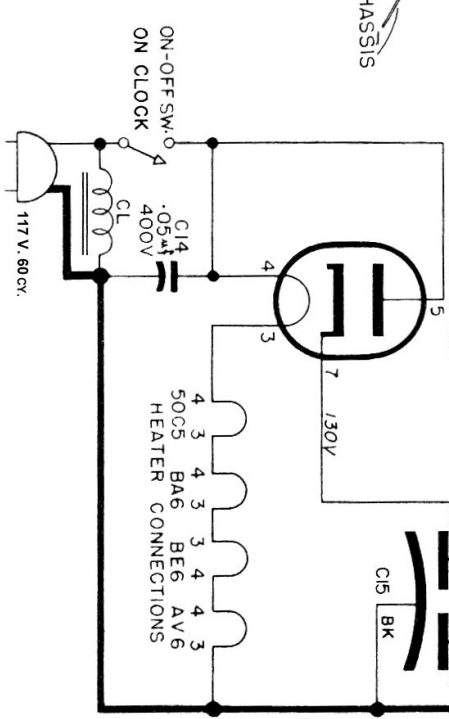
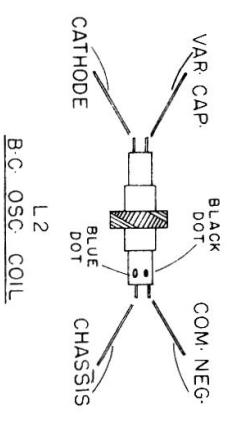


Sparton 5H4 Clock Receiver



RADIO ALIGNMENT PROCEDURE

At least 15 minute warm up period should be allowed before adjustments are made.

- A. Connect Signal Generator to Antenna lead (white wire) and set Generator to 455 Kcs.
- B. Set tuning capacitor to approximately 1500 Kcs and adjust hexagon IF iron cores for maximum output, starting with T2 adjust bottom then top. Next adjust bottom then top of T1.
- C. With tuning capacitor set to minimum capacity and Signal Generator set to 1640 Kcs adjust trimmer C5 to set oscillator. (Tuning range 1640 to 535 Kcs.)
- D. With Signal Generator set at 1500 Kcs, tune in signal and adjust trimmer C2 for maximum output.

LOOP PADDER

Adjusted for optimum loop performance at factory. Field adjustment usually is unnecessary.

- A. With Signal Generator and Dial set at 600 Kcs adjust loop padder for maximum output.
- B. Reset Signal Generator and Dial to 1500 Kcs and rock the tuning capacitor while adjusting C2 for maximum output.

Sparton 5H4

