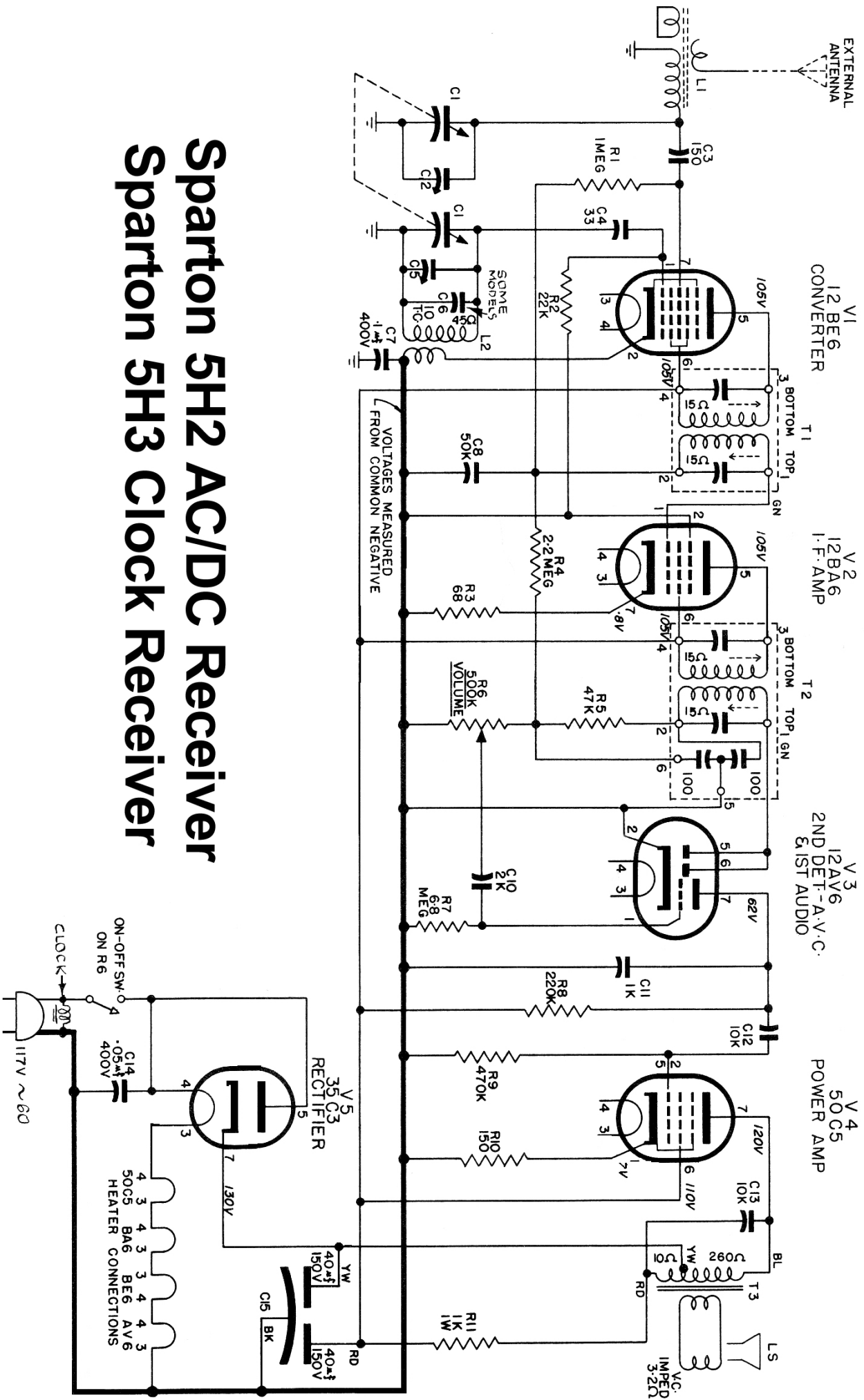


# Sparton 5H2 AC/DC Receiver

## Sparton 5H3 Clock Receiver



## RADIO ALIGNMENT PROCEDURE

At least 15 minute warm up period should be allowed before adjustments are made.

- A. Connect Signal Generator to Antenna lead (white wire) and set Generator to 455 Kcs.
- B. Set tuning capacitor to approximately 1500 Kcs and adjust hexagon IF iron cores for maximum output, starting with T2 adjust bottom then top. Next adjust bottom then top of T1.
- C. With tuning capacitor set to minimum capacity and Signal Generator set to 1640 Kcs adjust trimmer C5 to set oscillator. ( Tuning range 1640 to 535 KCs.)
- D. With Signal Generator set at 1500 Kcs, tune in signal and adjust trimmer C2 for maximum output.

### LOOP PADDER

Adjusted for optimum loop performance at factory. Field adjustment usually is unnecessary.

- A. With Signal Generator and Dial set at 600 Kcs adjust loop padder for maximum output.
- B. Reset Signal Generator and Dial to 1500 Kcs and rock the tuning capacitor while adjusting C2 for maximum output

