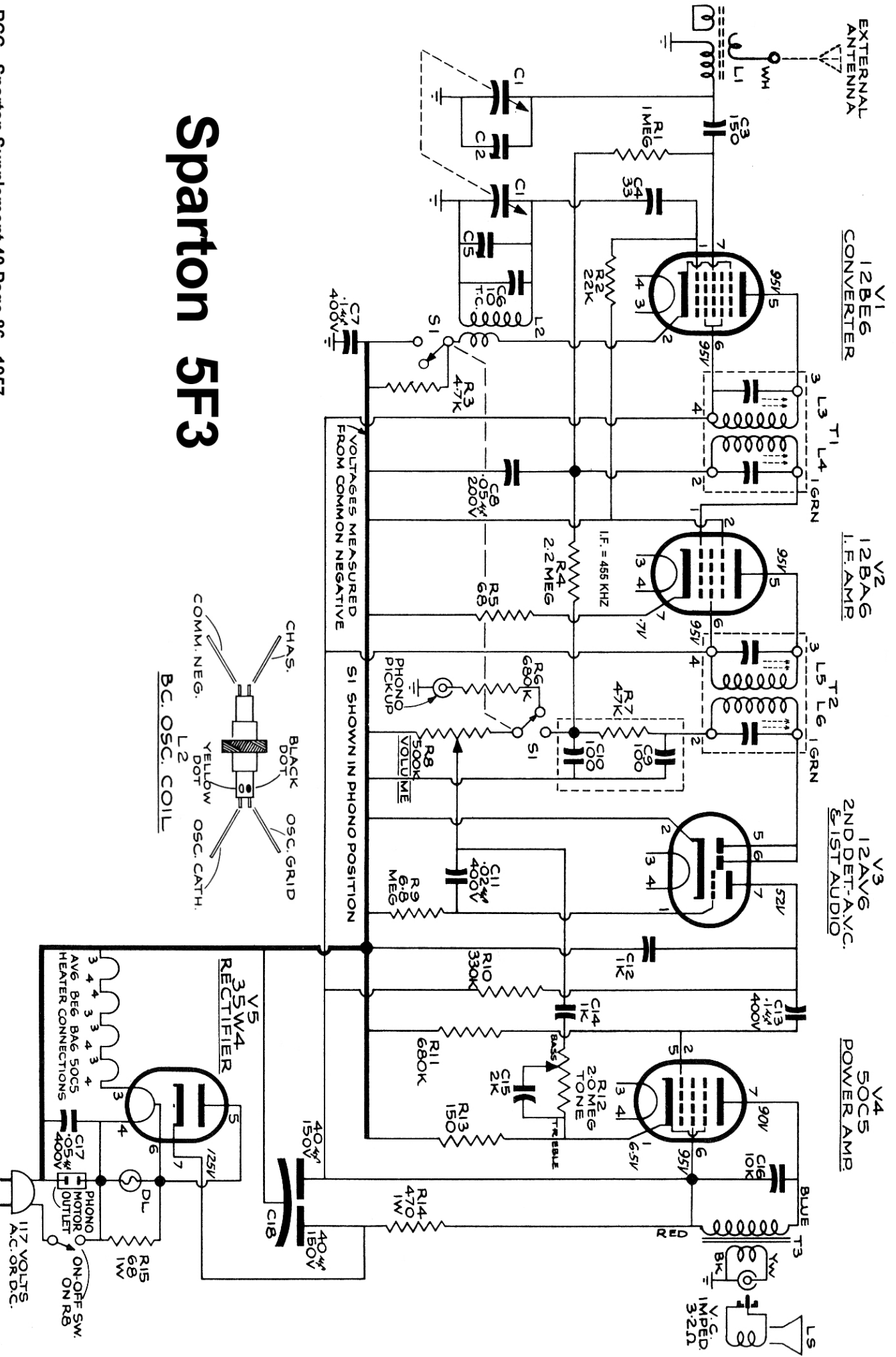
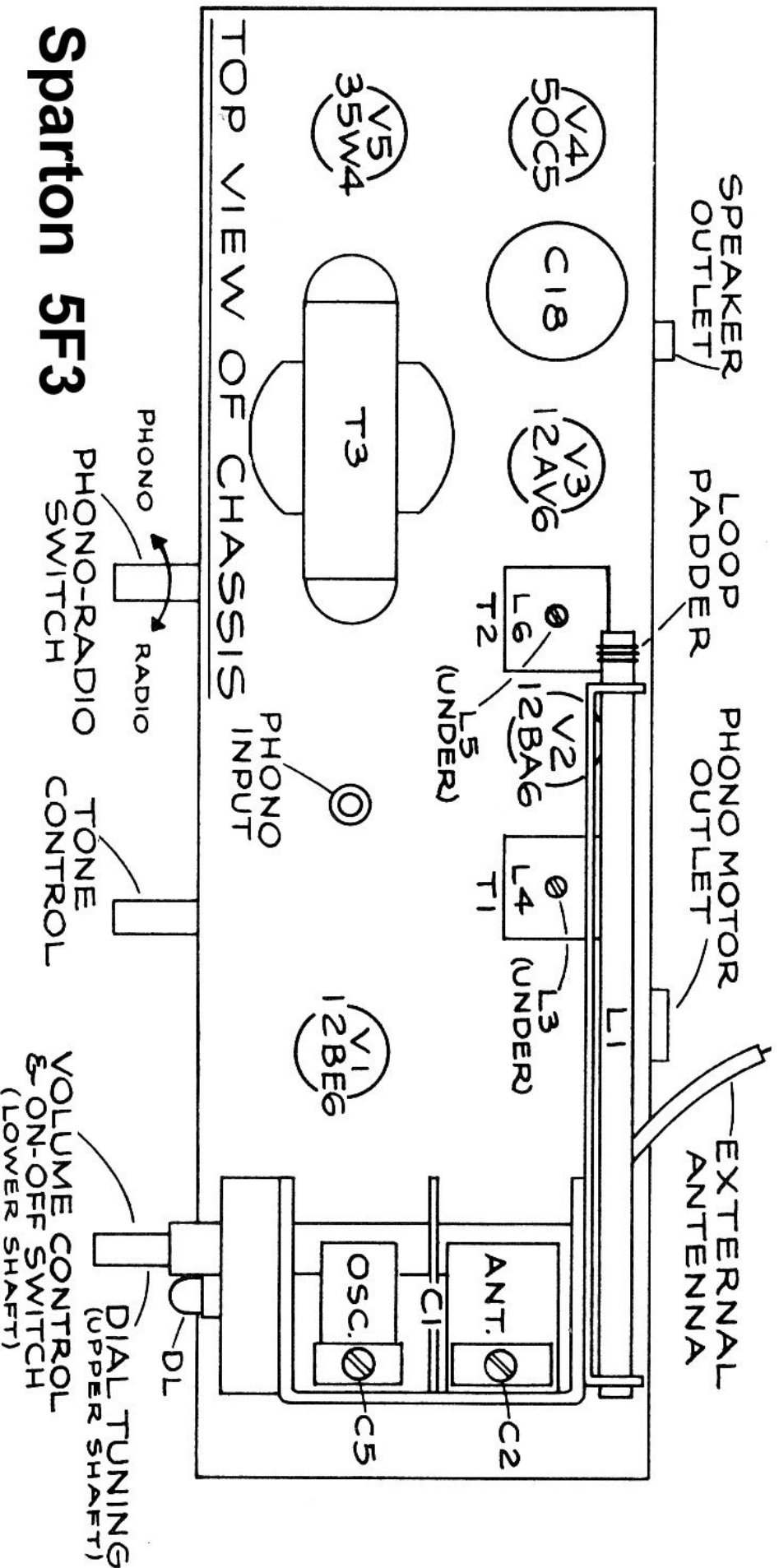


# Sparton 5F3





## Sparton 5F3

### RADIO ALIGNMENT PROCEDURE

At least 15 minute warm up period should be allowed before adjustments are made.

- Connect Signal Generator to Antenna lead (white wire) and set Generator to 455 Kcs.
- Set tuning capacitor to approximately 1500 Kcs and adjust slotted IF iron cores for maximum output, starting with T2 adjust L6 then L5. Next adjust L4 then L3 of T1.
- With tuning capacitor set to minimum capacity and Signal Generator set to 1640 Kcs adjust trimmer C5 to set oscillator. (Tuning range 1640 to 535 Kcs.)
- With Signal Generator set at 1500 Kcs, tune in signal and adjust trimmer C2 for maximum output.

### LOOP PADDER

Adjusted for optimum loop performance at factory. Field adjustment usually is unnecessary.

- With Signal Generator and Dial set at 600 Kcs adjust loop padder for maximum output.
- Reset Signal Generator and Dial to 1500 Kcs and rock the tuning capacitor while adjusting C2 for maximum output.