

SPARTON MODEL
564, 570, 740 AND 750
USES SAME R.F. CHASSIS AS 600

1930-31

1930-31

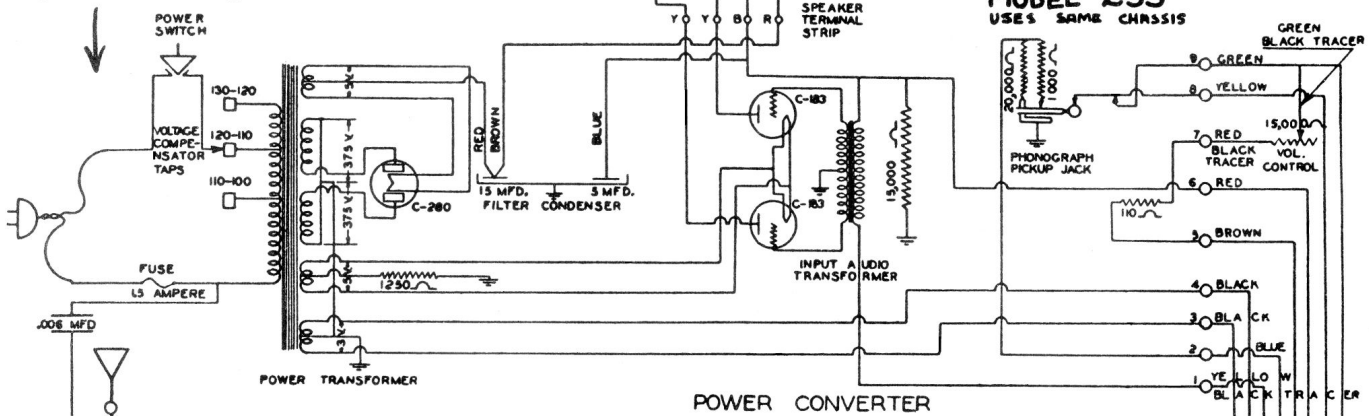
MODELS 931-589-591-593-600-610
620-737-235
LINE VOLTAGE 118 - SET 120-130 TAP
VOLUME CONTROL - MAX.

POWER CONVERTER

TYPE	POSITION	'A' VOLTS	'B' V.	'C' V.	PLATE MILLS
484	-R.F.	2.9	110	4.5	6
ALSO 301.	→ 484 DETC	2.9	105	10	1
CHASSIS.	386 P.P.AUDIO	7.25	350	70	40
	281 RECT	7.25	EACH TUBE		65

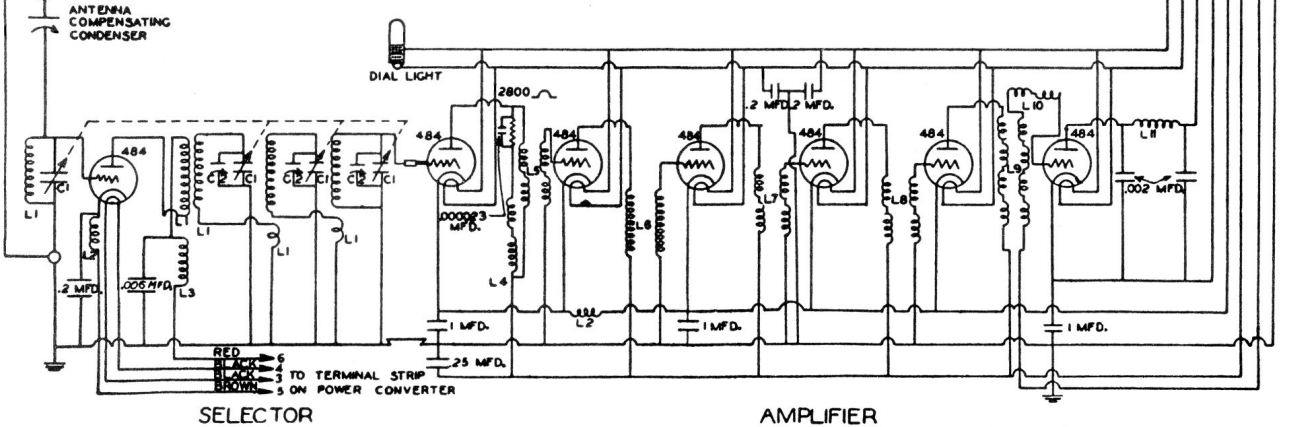
READINGS FOR 250 POWER CONVERTOR

TYPE	POSITION	'A' VOLTS	'B' V.	'C' V.	PLATE MILLS
484	R.F.	2.9	130	4.5	6.5
484	DETC	2.9	118	4.5	6.5
188	P.P.AUDIO	4.9	270	35	20
280	RECT	5			



SPARTON MODELS
600 610 AND 620 ALSO 737
MODEL 235
USES SAME CHASSIS

POWER CONVERTER



SELECTOR

AMPLIFIER

C1 VARIABLE CONDENSERS
C2 EQUALIZING CONDENSERS
L1 TUNING COILS
L2 CATHODE COIL

L3 R.F. CHOKE COIL
L4 FIRST PLATE COIL
L5 COUPLING COIL

L6 FIRST R.F. TRANSFORMER
L7 SECOND R.F. TRANSFORMER
L8 THIRD R.F. TRANSFORMER

L9 FOURTH R.F. TRANSFORMER
L10 GRID COIL
L11 DETECTOR PLATE CHOKE

THE SPARKS-WITHINGTON CO
Jackson, Michigan, U. S. A.
SPARTON OF CANADA, LIMITED
London, Ontario, Canada