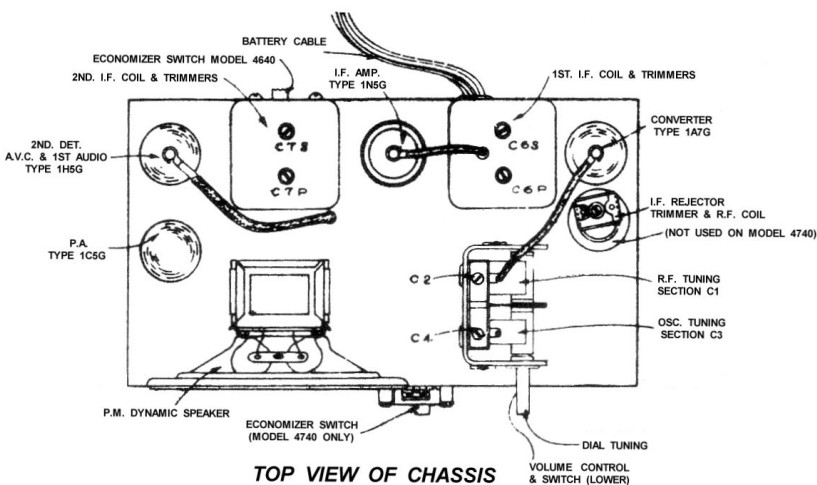
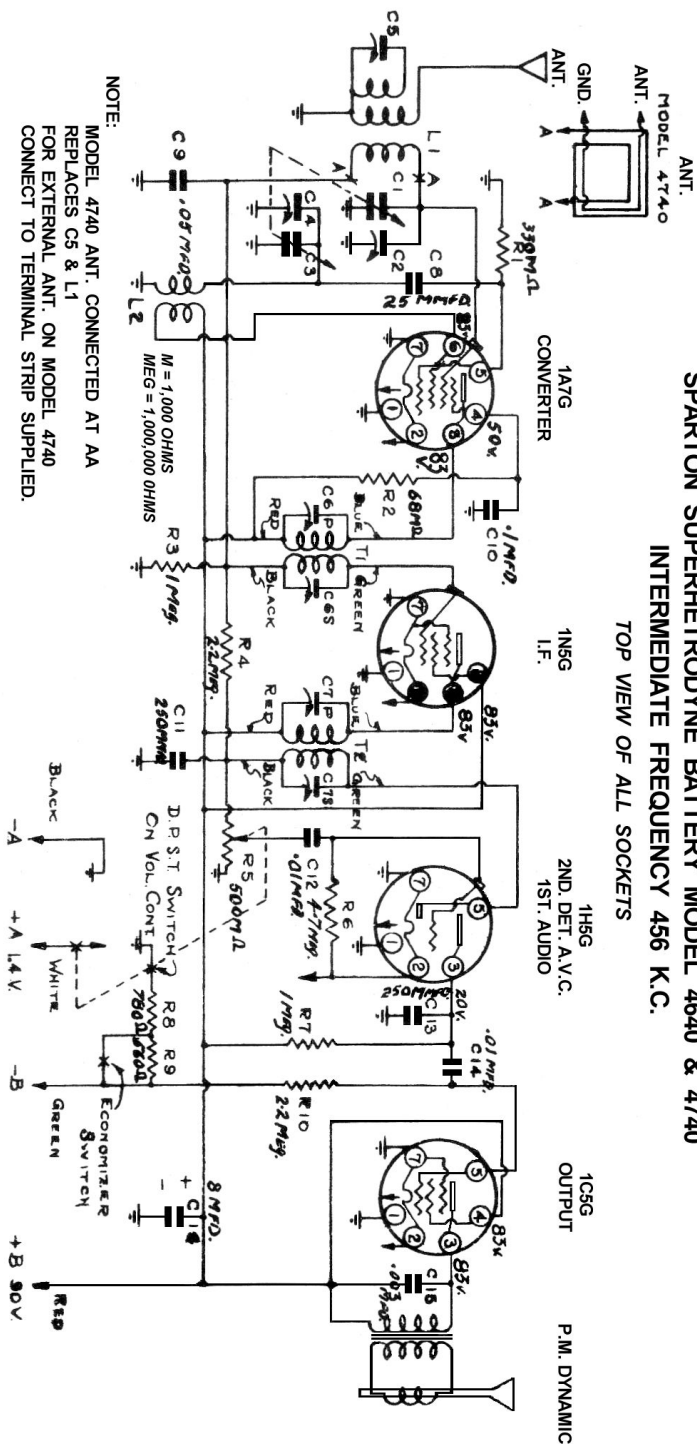


Sparton 4640, 4641 & 4740 Battery Receiver



TOP VIEW OF CHASSIS



SPARTON SUPERHETRODYNE BATTERY MODEL 4640 & 4740 INTERMEDIATE FREQUENCY 456 K.C.

TOP VIEW OF ALL SOCKETS

I. F. ALIGNMENT—

With the service oscillator set at 456 K.C. and the oscillator lead connected to the 1A7G grid cap, adjust trimmers C6P, C6S, C7P, C7S for **maximum** output. The selector should be turned out or opened while making these adjustments.

I. F. REJECTOR—

With the service oscillator set at 456 K.C. and its output lead attached to the aerial of the chassis, adjust trimmer C5 for **minimum** output. **Caution**—Make sure the chassis is not tuned to a harmonic of 456.

R. F. ALIGNMENT—

1. OSCILLATOR TRIMMER

With the service oscillator tuned to 1500 K.C., adjust trimmer C4 until signal is tuned in, when dial is set at 1500.

2. R. F. TRIMMER

With service oscillator set at 1500 K.C., adjust C2 for maximum output.