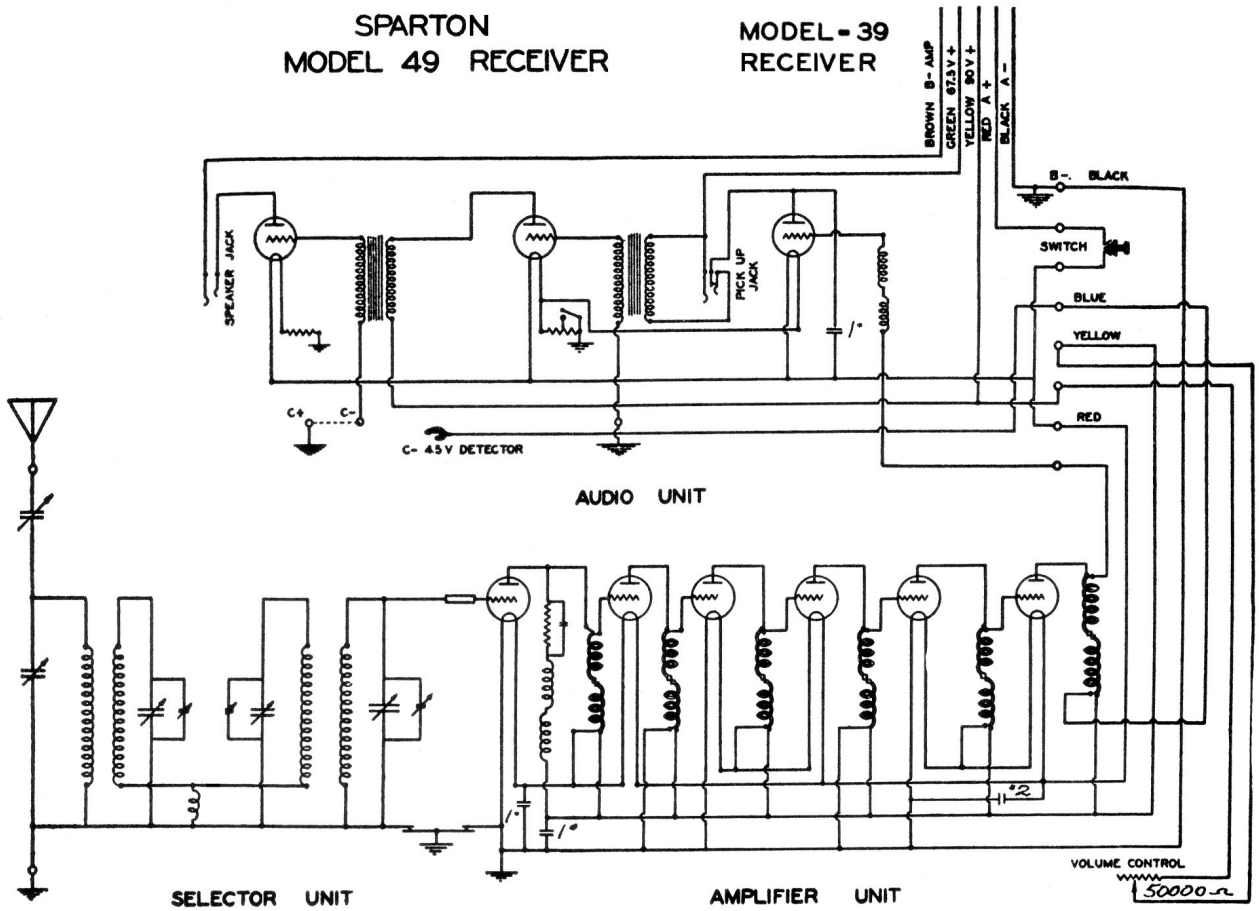


SPARTON  
MODEL 49 RECEIVER

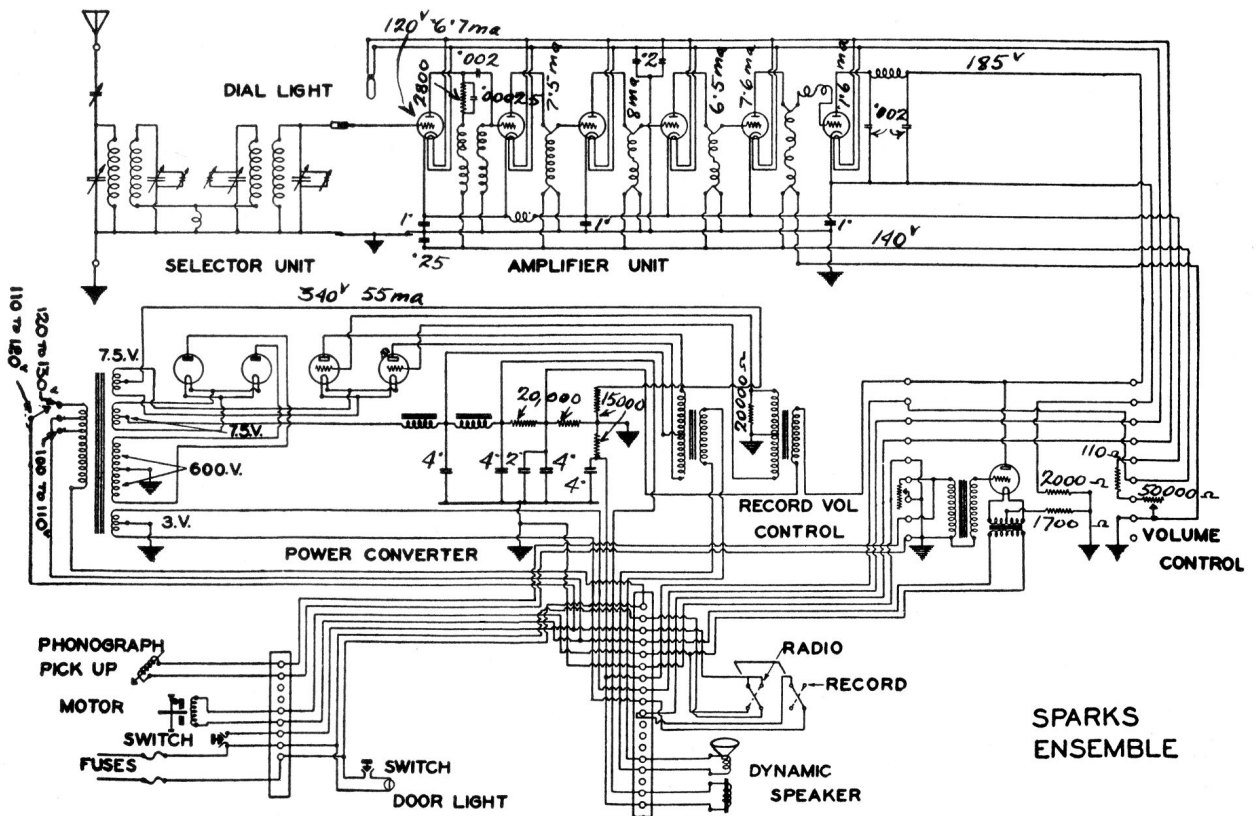
MODEL - 39  
RECEIVER

1929-30  
49  
Table Model.

1928-29  
39  
Table Model  
using same  
Circuit.



1928-29  
Model 99  
Sparks  
Ensemble  
Phono-Comb.  
with  
Automatic  
Record  
Changer.  
Same Circuit  
but without  
Phono-  
Equipment.  
Also used in  
De Luxe  
Console  
Model 109  
1928-29



Printed in Canada

—Courtesy Sparks Withington Co., Inc.  
—Sparton Radio of Canada, Canadian Licensee