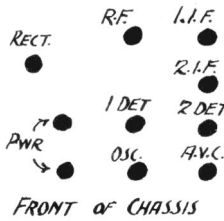


Sparton Model 25 and 26

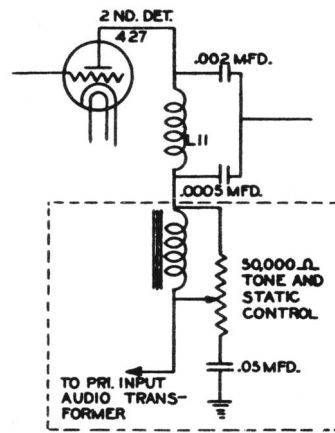
TUBE	POSITION	PLATE VOLTS	GRID VOLTS	SCREEN VOLTS	PLATE MA
35	R.F.	180-220	2.5-4	80-100	5-8
"	1. DET.	"	6.4-14	"	8-1.8
"	1. I.F.	"	2.5-4	"	5-8
"	2. I.F.	"	"	"	5-8
27	Osc.	80-100	—	—	—
"	2. DET.	175-205	14-20	—	7-1.0
"	A.V.C.	—	30-50	—	—
45	P. A.M.	225-270	30-45	—	20-30

1. F. 172.5 Kc.

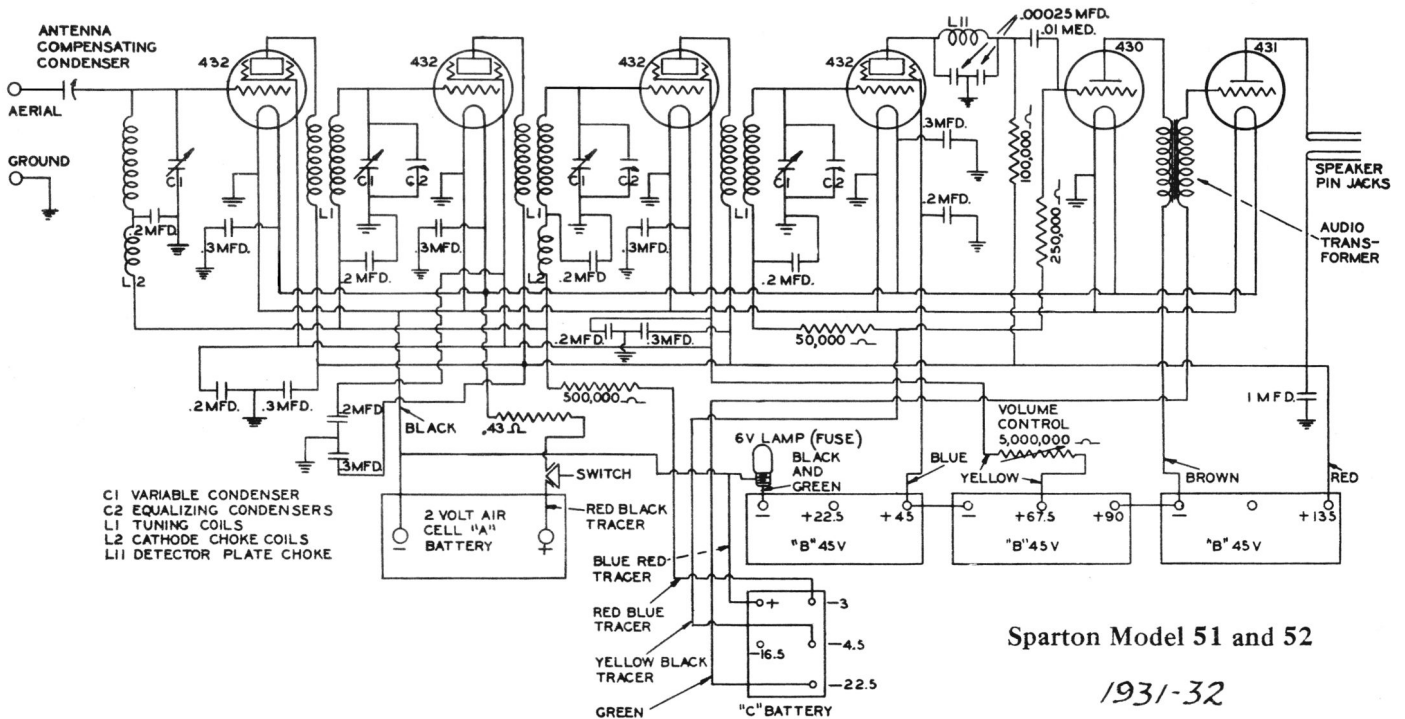
1931-32



FRONT OF CHASSIS



Schematic Diagram of Tone Control System used on a few of the first SPARTON Model 25 and 26.



Sparton Model 51 and 52

1931-32