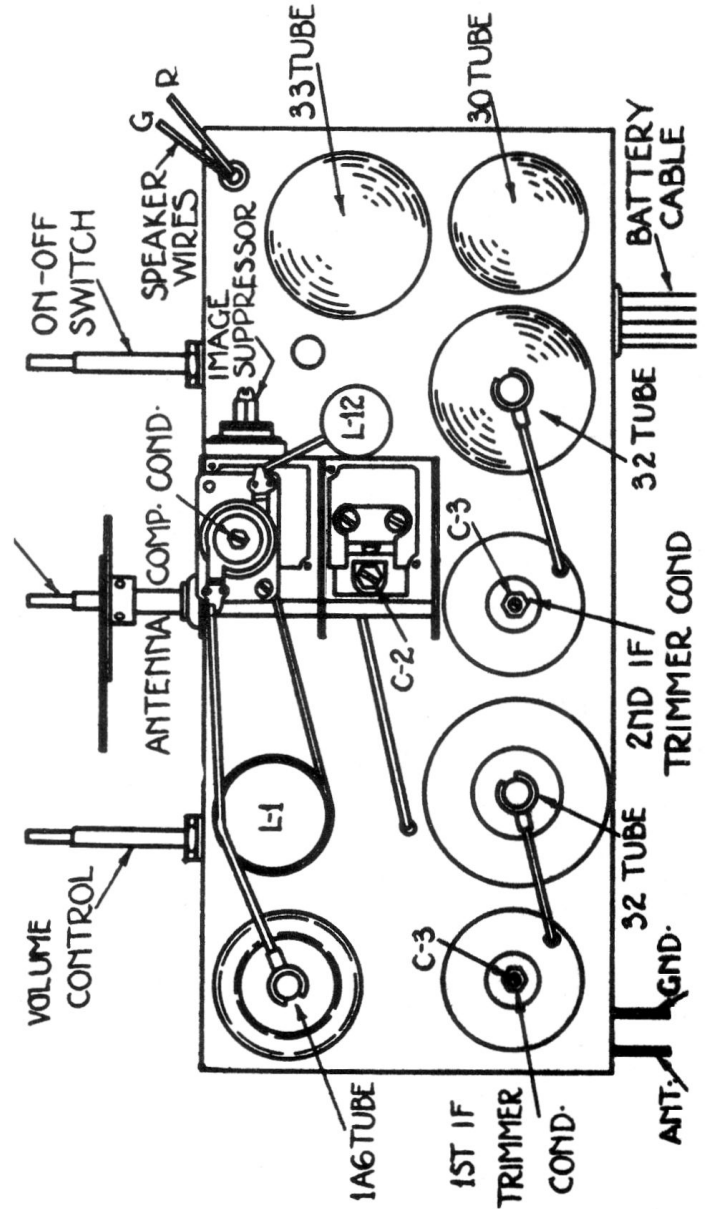
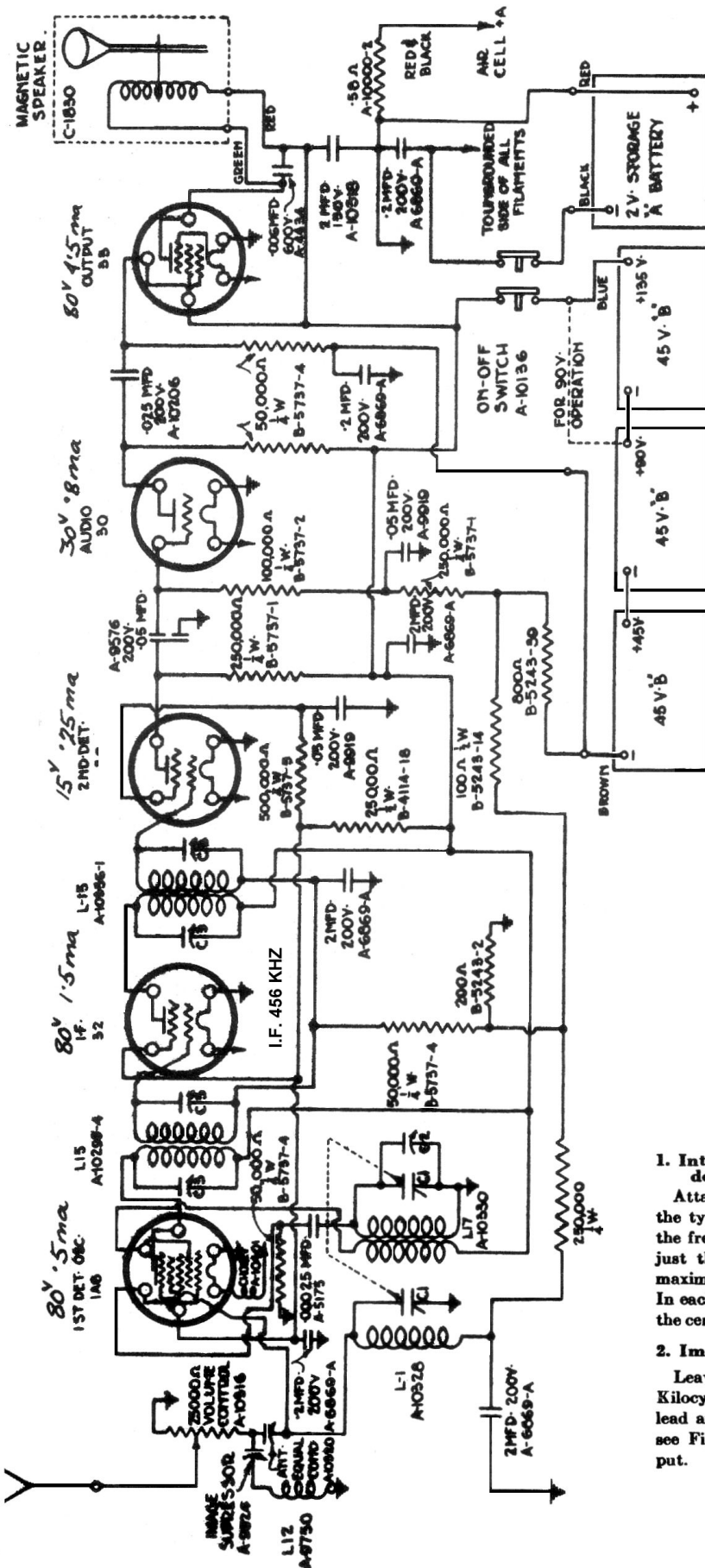


# Spartan 182 Battery Operated Receiver



## 1. Intermediate Frequency Condensers.

Attach test oscillator to the grid of the type 1A6 Converter tube, and set the frequency to 456 Kilocycles. Adjust the condensers marked C-3 for maximum output on the output meter. In each case both the hexagon nut and the center screw head must be adjusted

## 2. Image Suppressor.

Leaving the oscillator set at 456 Kilocycles, connect it to the antenna lead and adjust the Image Suppressor see Fig. 1) for minimum speaker output.

## 3. Oscillator Trimmer Condenser.

Adjust the test oscillator to 1500 Kilocycles, and adjust condenser C-2 until the dial pointer, when tuned to the oscillator signal, reads exactly 1500.

## 4. Antenna Compensating Condenser.

With the test oscillator still set at 1500 Kilocycles, and the receiver tuned exactly to the signal, adjust the antenna compensating condenser for maximum reading of the output meter.

**NOTE**—This condenser should be readjusted to a station signal around 1400 K.C. when it is connected to the antenna on which it is to operate.