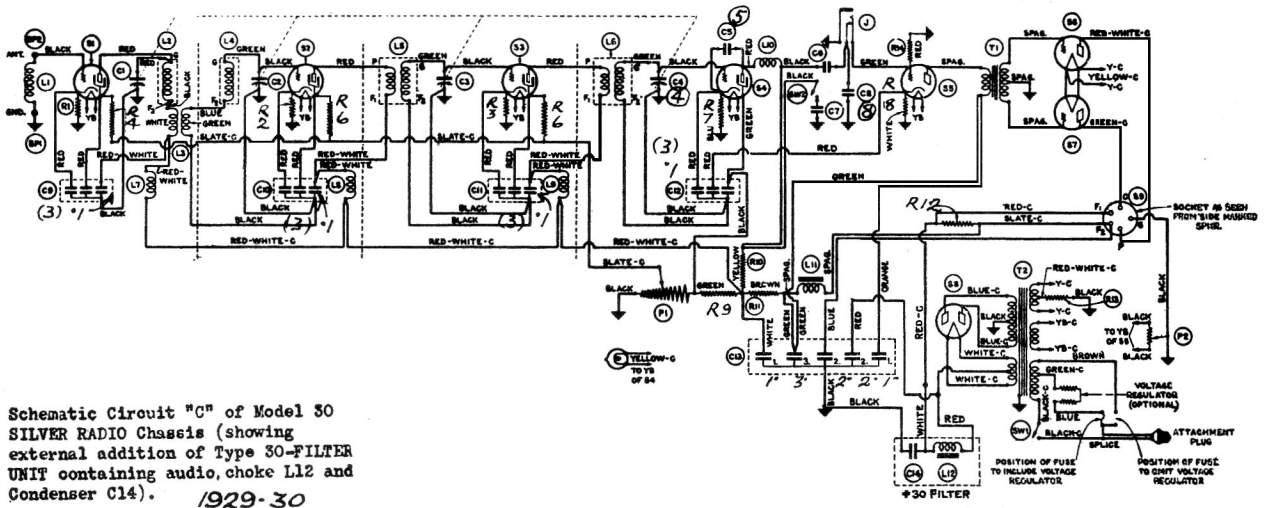
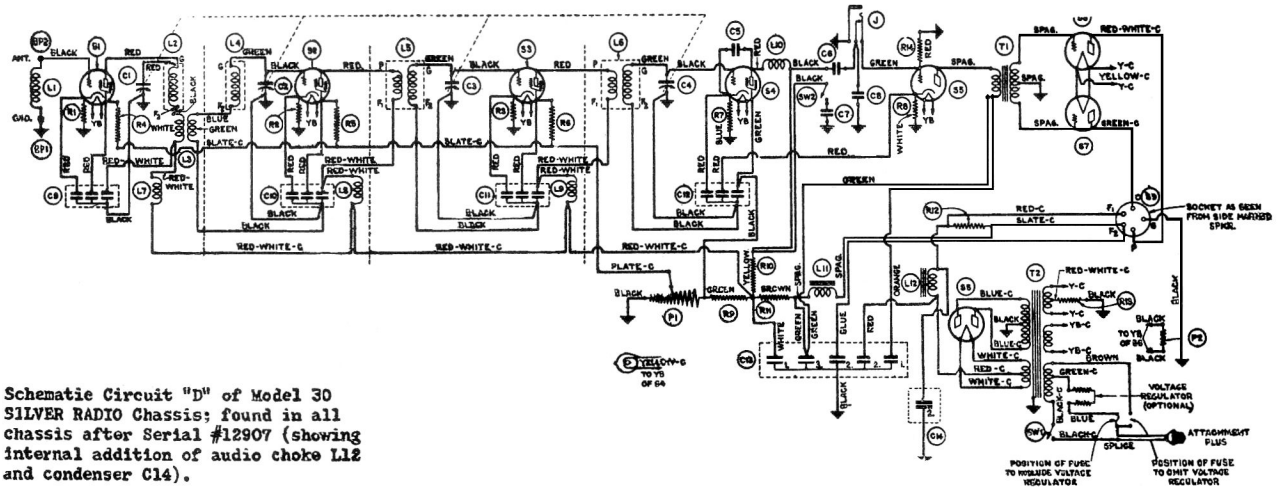


1929-30
 Models
 30B and 30C
 Similar
 Except that
 30C has
 External Filter
 Circuit added,
 as shown.



Schematic Circuit "C" of Model 30
 SILVER RADIO Chassis (showing
 external addition of Type 30-FILTER
 UNIT containing audio, choke L12 and
 Condenser C14). 1929-30

Model 30D
 has Filter
 built into
 Pack.



Schematic Circuit "D" of Model 30
 SILVER RADIO Chassis; found in all
 chassis after Serial #12907 (showing
 internal addition of audio choke L12
 and condenser C14).

1929-30

LEGEND FOR MODELS 30-B, C, AND D

C ¹ - .00035 mfd.	C ⁸ - .00015	C ¹⁴ - 2.	R ⁶ - 3,000 ohms.	R ¹² - 1,500-ohms
C ² - .00035 mfd.	C ⁹ - .1	R ¹ - 400 ohms	R ⁷ - 60,000 "	R ¹³ - 800
C ³ - .00035 "	C ¹⁰ - .1	R ² - 400 "	R ⁸ - 2,000 "	R ¹⁴ - 2-mfd
C ⁴ - .00035 "	C ¹¹ - .1	R ³ - 400 "	R ⁹ - 10,000 "	
C ⁵ - .00015	C ¹² - .1	R ⁴ - 3,000 "	R ¹⁰ - 300,000 "	
C ⁶ - .0075	C ¹³ - .1	R ⁵ - 3,000 "	R ¹¹ - 3,500 "	

SILVER MARSHALL—MODEL 30, B, C, and D

Analyzer
 readings for
 above.

Type Tube	Position of Tube	"A" Volts	"B" Volts	"C" Volts	Normal M.A.	Grid Test	Screen Grid	Cathode Volts
'24	1 R.F.	2.25	142	1	2.6	3.5	+60	+1
'24	2 R.F.	2.25	140	1.4	2.3	3.3	+58	+1.4
'24	3 R.F.	2.25	140	1.2	3.2	4.2	+58	+1.2
'24	Det.	2.25	55	5.4	.2	.5	+50	+10
'27	1 Aud.	2.3	176	6.5	8.7	+12
'45	2 Aud. PP.	2.3	205	40	28	37
'45	2 Aud. PP.	2.3	205	40	28	37
'80	Rect.	4.7	40

LV-114. Volume Control Max.

NOTE.—These are lowest allowable values and can safely be increased 10%.