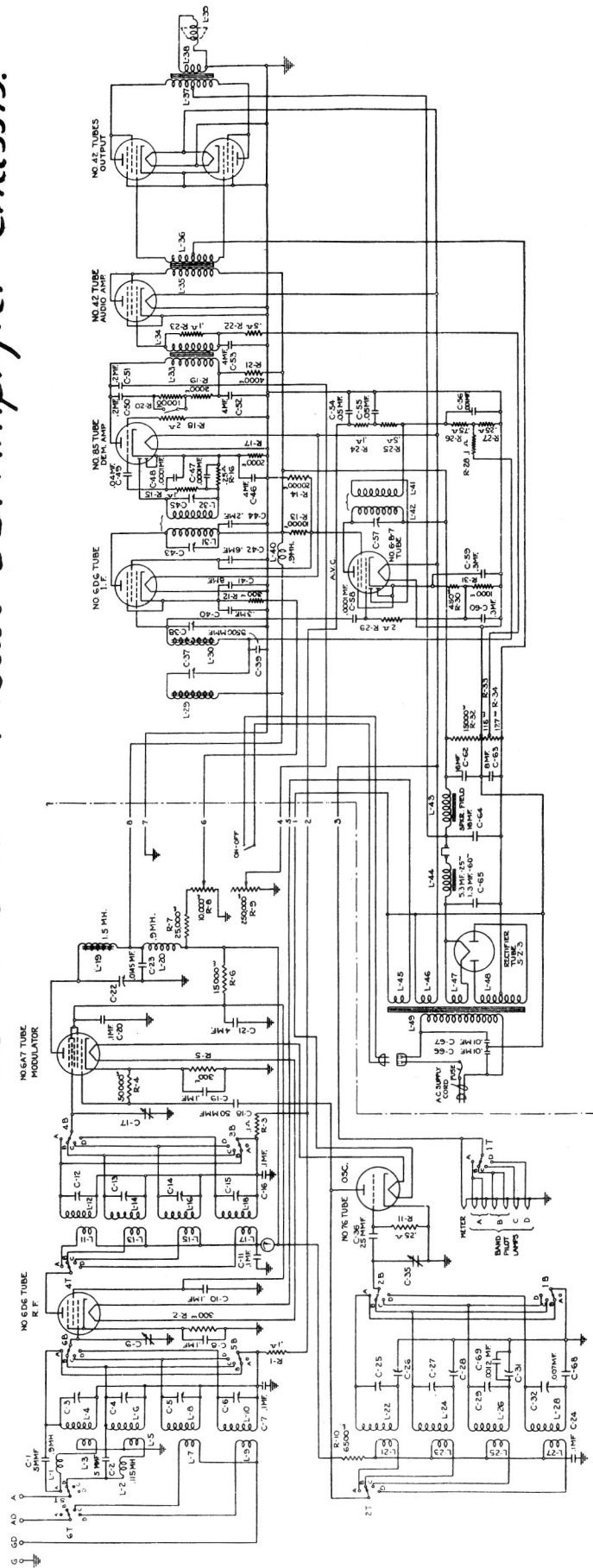


# Model 69. All-Wave Selector. Model 68. Amplifier Chassis.



Schematic Circuit of Selector and Amplifier Chassis

Tube	Circuit	2	3	4	5	6
6D6	R. F. Amp.	+175	+89	+2.38	+2.38	6
6A7	Mod.	+180	+89	+8.6	+8.6	+2.0
76	Osc.	+152	-25	0	-	-
6D6	I. F. Amp.	+181	+100	+2.6	+2.6	+8.65
6B7	A. V. C.	+181	+100	0	+8.65	+10
85	1st Audio	+150	+170	+22	0	0
42	2nd Audio	+378	+378	484	484	484
42	Output	+181	+382	+382	+382	+382
5Z3	Rectifier					
Speaker Socket						

Terminals of Sockets

1934-35  
Frequency  
Output of  
Selector  
545 Kc.

