

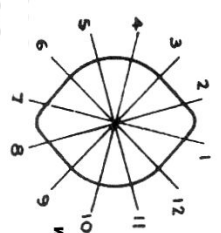
MODULATOR OSCILLATOR I.F. AMP I.F. AMP DET. & AUDIO AMP OUTPUT

6AV6 6E4G 6P5M 6P5M 6H5G 6Q5GT

BAND SWITCH SHOWN IN B.C. POSITION

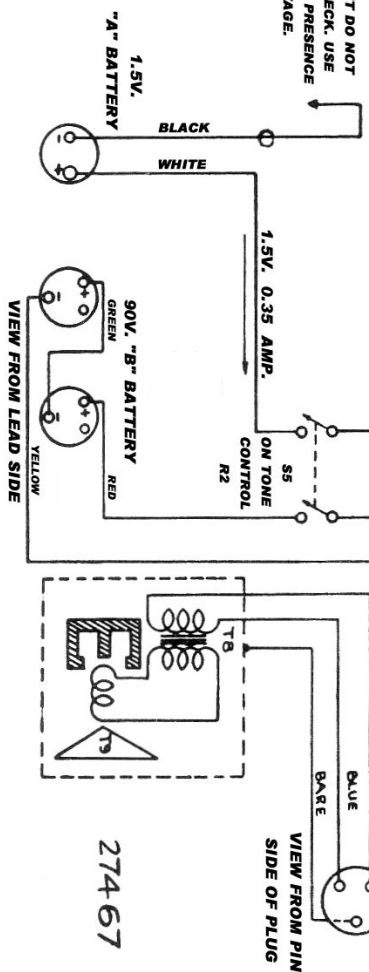
NOTE - VOLTAGE READINGS ARE BETWEEN POINTS SHOWN AND CHASSIS (GROUND) UNLESS OTHERWISE INDICATED.

MICA CONDENSER CAPACITY SHOWN IN MMFD.
I.F. TRANSFORMER FREQUENCY 456 K.C.
V.C. D.C. RESISTANCE 5.5 OHMS (CONSOLE)
V.C. D.C. RESISTANCE 3.0 OHMS (MANTREL)



WAVE BAND SWITCH - REAR VIEW
(CHASSIS INVERTED)
S1, S2, S3 & S4

* VALUES OF RESISTANCES IN CIRCUIT DO NOT PERMIT AN ACCURATE VOLTAGE CHECK. USE PLATE CURRENT AS INDICATION OF PRESENCE OF CORRECT GRID AND PLATE VOLTAGE.



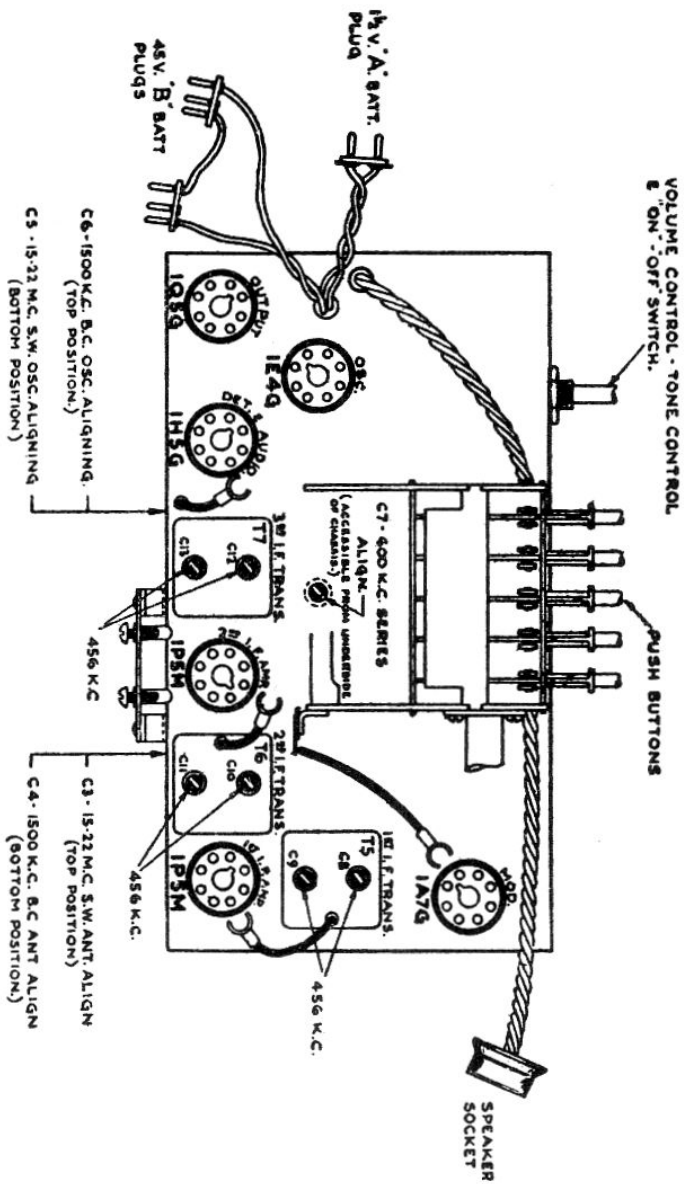
Rogers 15/6/1 & 15/6/6
Majestic 4161 & 4166
De Forest 16/4/1 & 66/4/1

RCC - Rogers Majestic Data Sheet 88 - 1940-41

27467

Rogers 15/61 & 15/66 Majestic 4161 & 4166 De Forest 16/41 & 66/41

Battery Operated Radio Alignment Data & Chassis Layout



(CHASSIS TYPE 10RB961, 10RB962, 10MB961, 10MB962, 10DB961, 10DB962)

ALIGNMENT DATA

Operation	Connect Generator	Set Generator Tuning	Set Receiver Tuning	Band Switch	Dummy Antenna	Volume Control	Adjust	Remarks
1	To Grid Cap of 1A7G	456 kcs.	700-800 kcs.	Broadcast	.1 mfd.	Max.	C8, C9, C10 C11, C12, C13	To Peak I.F.
2	To Antenna	1500 kcs.	1500 kcs.	Broadcast	200 mmfd.	Max.	C6	To Peak Osc.
3	To Antenna	1500 kcs.	1500 kcs.	Broadcast	200 mmfd.	Max.	C4	To Peak Ant.
4	To Antenna	600 kcs.	600 kcs.	Broadcast	200 mmfd.	Max.	C7	To Track Osc.
5	To Antenna	1500 kcs.	1500 kcs.	Broadcast	200 mmfd.	Max.	C6	To Check Osc.
6	To Antenna	15.22 mcs.	15.22 mcs.	Short-wave	*400 ohms	Max.	C5	To Peak Osc.
7	To Antenna	15.22 mcs.	15.22 mcs.	Short-wave	*400 ohms	Max.	C3	To Peak Ant.