

OSC. & MOD.

IR5

I.F. AMP

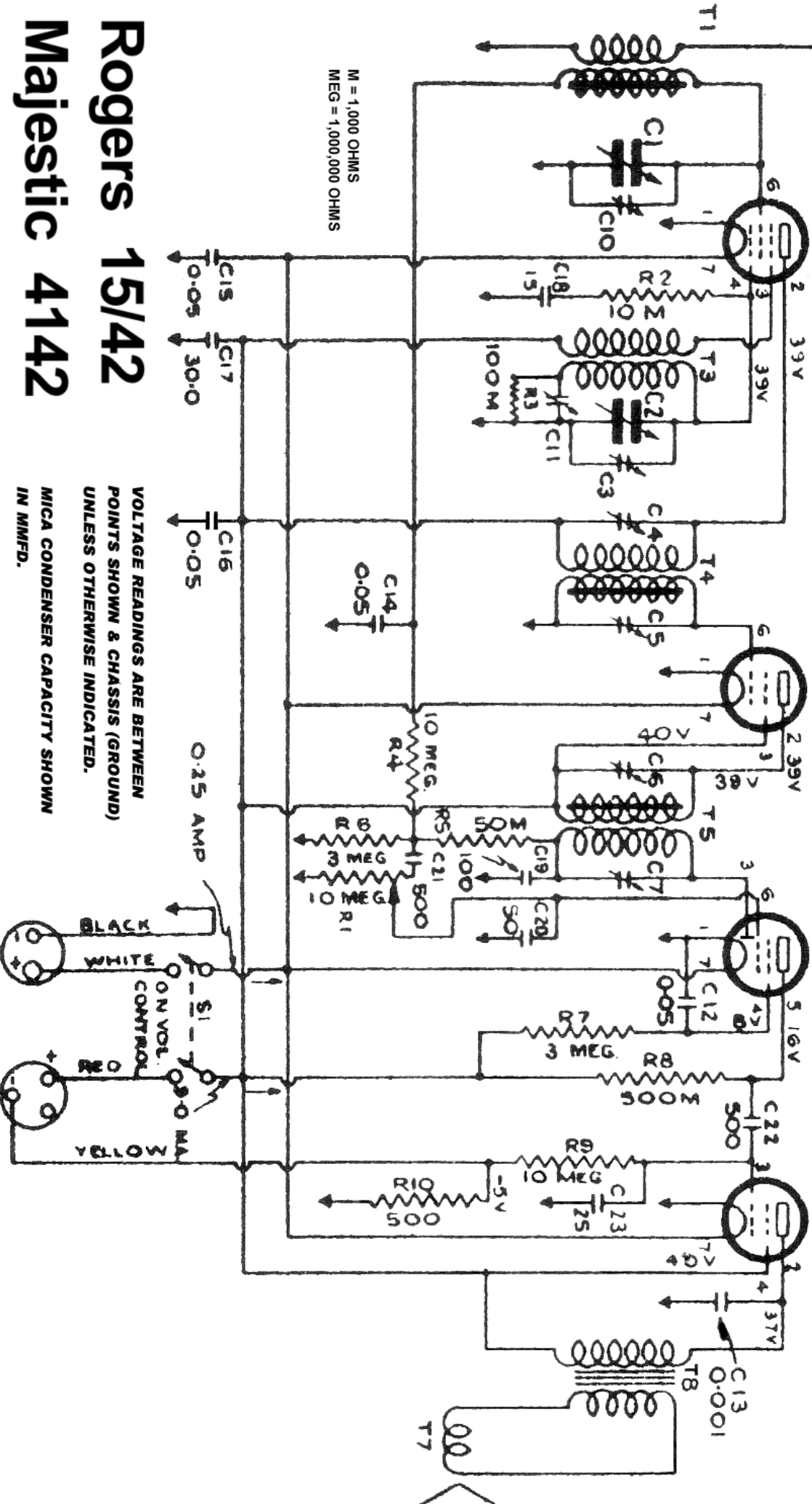
IT4

DET. & AUDIO AMP

IS5

OUTPUT

IS4



M = 1,000 OHMS
MEG = 1,000,000 OHMS

VOLTAGE READINGS ARE BETWEEN
POINTS SHOWN & CHASSIS (GROUND)
UNLESS OTHERWISE INDICATED.
MICA CONDENSER CAPACITY SHOWN
IN MMFD.

I.F. TRANSFORMER 456 K.C.
VOICE COIL D.C. RESISTANCE 2.5 OHMS

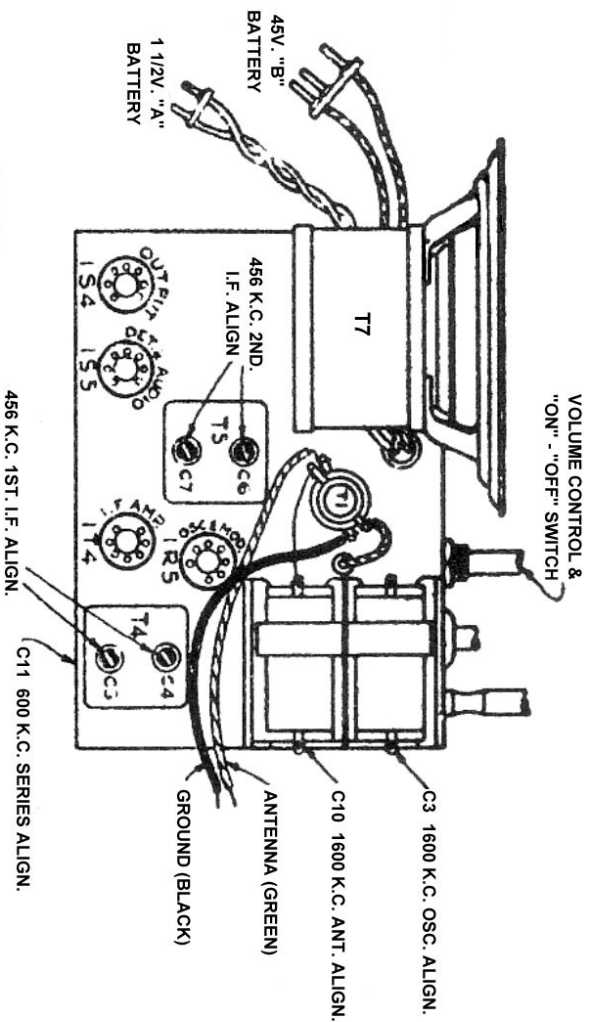
1.5 V. "A" BATTERY 45 V. "B" BATTERY

Rogers 15/42
Majestic 4142
De Forest 24/41

Rogers 15/42 Majestic 4142 De Forest 24/41

Battery Operated Radio Alignment and Chassis Layout

(CHASSIS TYPE 10RB412, 10MB412, 10DB412)



MAJESTIC "4142"

ROGERS "15/42"

DE FOREST "24/41"

ALIGNMENT DATA

Operation	Connect Generator	Set Generator Tuning	Set Receiver Tuning	Dummy Antenna	Volume Control	Adjust	Remarks
1	†To Grid of 1R5	456 kc/s.	700-800 kc/s.	.1 mfd.	Max.	C4, C5, C6, C7	To Peak I.F.
2	To Antenna	1600 kc/s.	1600 kc/s.	.0002 mfd.	Max.	C3	To Peak Osc.
3	To Antenna	1600 kc/s.	1600 kc/s.	.0002 mfd.	Max.	C10	To Peak Ant.
4	*To Antenna	600 kc/s.	600 kc/s.	.0002 mfd.	Max.	C11	To Track Osc.
5	To Antenna	1600 kc/s.	1600 kc/s.	.0002 mfd.	Max.	C3	To Check Osc.