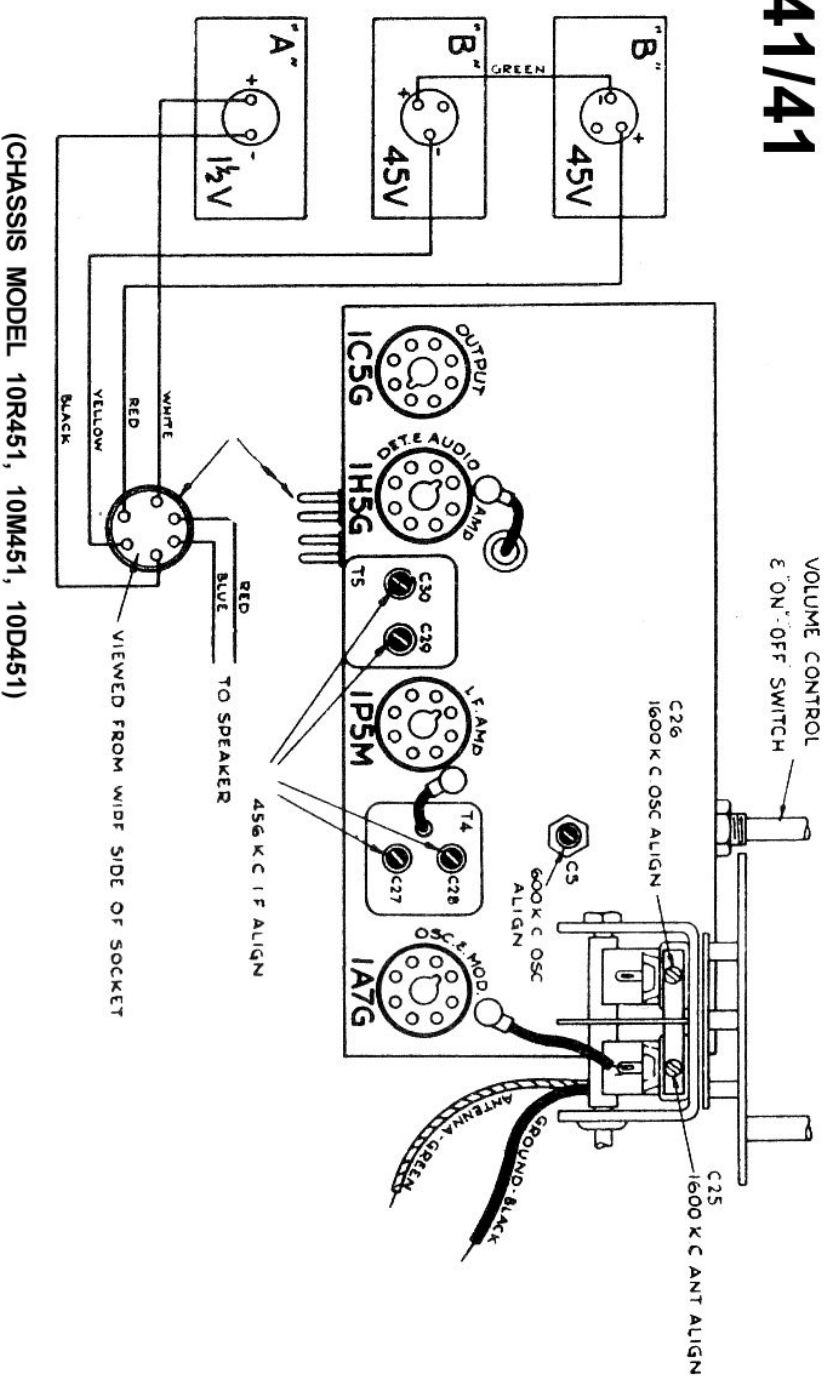
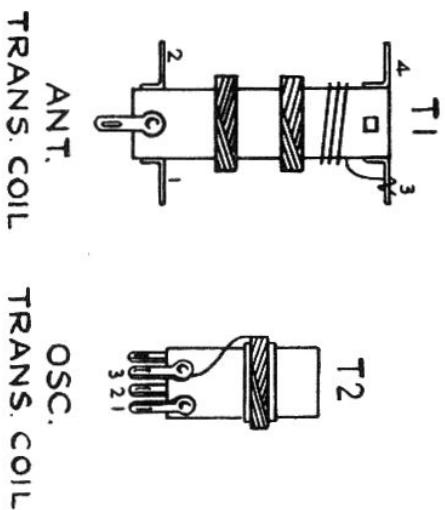


Rogers 15-40 & 15-41 Majestic 41/40 & 41/41 De Forest "Bombay" & "Albatross"

RCC - Rogers Majestic Data Sheet 68 (Top) - 1939-40

Rogers 15-40 & 15-41 Majestic 41/40 & 41/41 De Forest:

"Bombay" "Albatross"



ALIGNMENT

I. F.—Short out oscillator section of gang condenser. Connect generator through a .1 mfd. condenser to control grid of 1A7G tube (grid cap in position). With generator at 456 kcs. adjust I.F. trimmers C30, C29, C28, C27 in that order for maximum output.

R.F.—Apply 1,600 kc. signal through .0002 mfd. condenser to antenna (Green) lead. Adjust C26 (oscillator) and C25 (R.F.) for maximum reading. Reset generator to 600 kc. and adjust C5 for maximum reading. Rock gang during this operation.