

I.F. FREQUENCY = 456Kc.

OSC. & MOD. IA7G

OSC. & MOD. IA7G

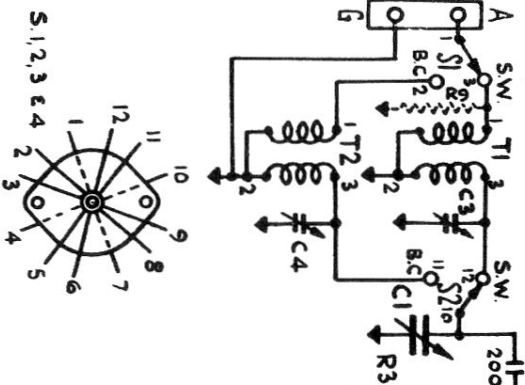
R.F. AMP. IP5M

I.F. AMP. IP5M

A.F. AMP. & 2ND DET. IH5G

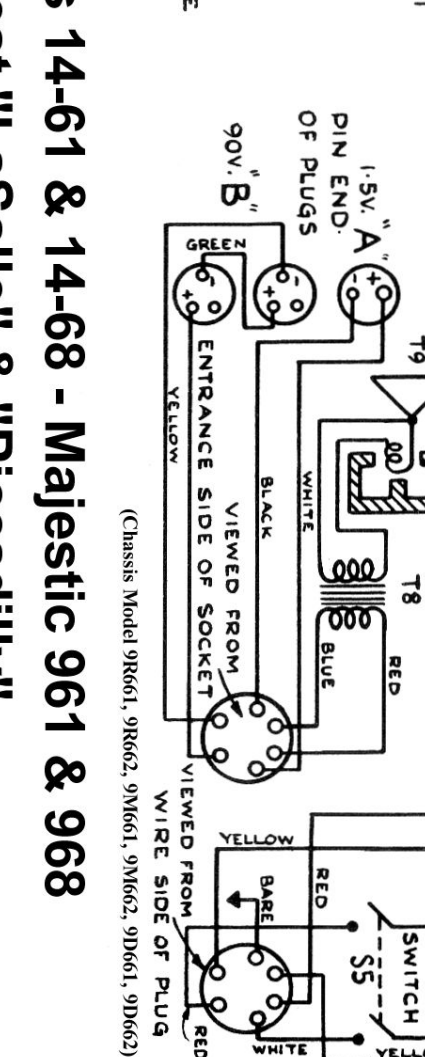
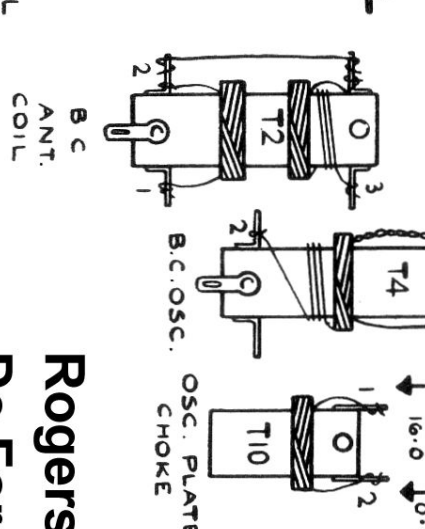
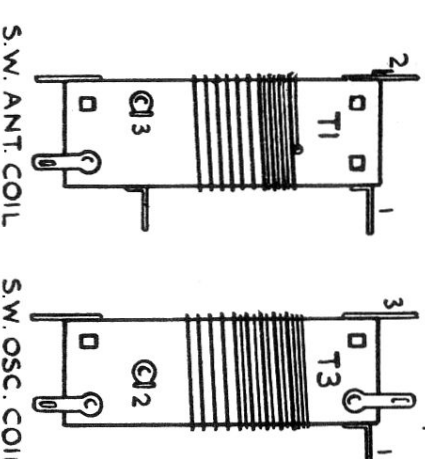
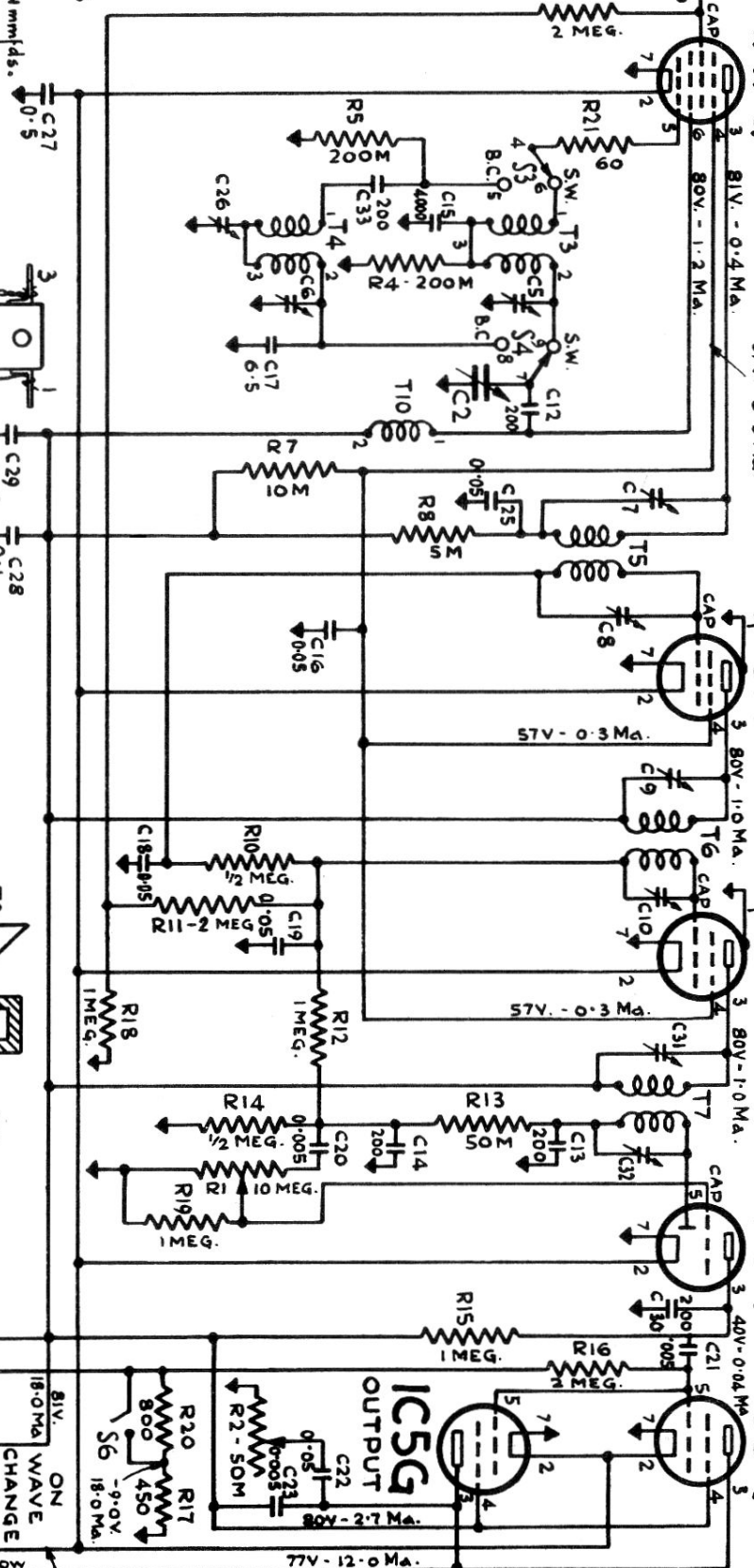
OUTPUT IC5G

4 STATION MECH. GANG TUNED AUTO.



WAVE SWITCH - REAR VIEW. (CHASSIS INVERTED). Note: VOLTAGE READINGS ARE BETWEEN POINTS SHOWN AND CHASSIS (GROUND) UNLESS OTHERWISE INDICATED.

MICA COND. CAPACITIES SHOWN IN mmfd.



(Chassis Model 9R661, 9R662, 9M661, 9M662, 9D661, 9D662)

# Rogers 14-61 & 14-68 - Majestic 961 & 968 De Forest "LaSalle" & "Piccadilly"

# Alignment

(Chassis Model 9R661, 9R662, 9M661, 9M662, 9D661, 9D662)

Operation	Connect Generator	Set Generator Tuning	Set Receiver Tuning	Band Switch	Dummy Antenna	Vol. Cont.	Adjust	Remarks
1	To Grid Cap of IA7G	456 kcs.	700-800 Kcs.	Broadcast	.1 mfd.	Max.	C32, C31 C10, C9 C8, C7	To Peak I.F.
2	To Antenna	1600 kcs.	1600 kcs.	Broadcast	.0002 mfd.	Max.	C6	To Peak Osc.
3	To Antenna	1600 kcs.	1600 kcs.	Broadcast	.0002 mfd.	Max.	C4	To Peak Ant.
4	To Antenna	600 kcs.	600 kcs.	Broadcast	.0002 mfd.	Max.	*C26	To Peak Osc.
5	To Antenna	1600 kcs.	1600 kcs.	Broadcast	.0002 mfd.	Max.	C6	To Recheck Osc.
6	To Antenna	17.5 mcs.	17.5 mcs.	Short-wave	400 ohms	Max.	C5	To Peak Osc.
7	To Antenna	17.5 mcs.	17.5 mcs.	Short-wave	400 ohms	Max.	*C3	To Peak Ant.
†8	To Antenna	6.0 mcs.	6.0 mcs.	Short-wave	400 ohms	Max.	T1	To Increase Sensitivity
†9	To Antenna	6.0 mcs.	6.0 mcs.	Short-wave	400 ohms	Max.	T3	To Correct Logging

NOTE:—†Adjustments shown in operations 8 and 9 are only necessary when short-wave coil replacements are made. These coils are provided with a small wire loop which may be moved to vary the coil inductance.

Always use an output meter or other visual indicator when making alignment. Use only enough generator output to give readable value on output indicator. The resistors and condensers used as dummy antennae must be non-inductive types.

\*Rock tuning control during this adjustment.

Always ground generator and receiver "G" (ground) connection.

## Rogers 14-61 & 14-68

## Majestic 961 & 968

## De Forest LaSalle & Piccadilly

