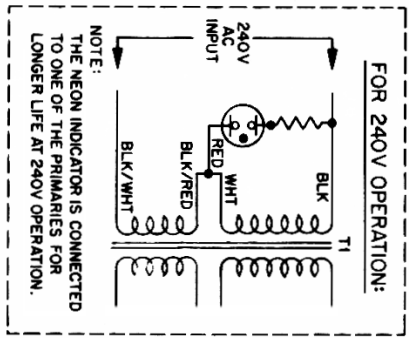
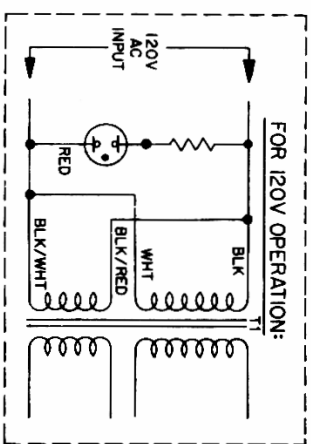


NOTES:  
 VOLTAGES MEASURED WITH AN RCA VOLTOHMYST<sup>®</sup> WITH  
 CONTROLS SET AS FOLLOWS:  
 RANGE SW. (S1)-BAND F % MOD — MAX. CW  
 FREQUENCY — 12 MC RF ATTEN.—MAX. CW  
 MOD — HI NO XTAL IN SOCKET  
 RF — HI  
 VFO — ON  
 TRADE MARK<sup>®</sup> REGISTERED  
 (MARCAS) REGISTRADAS

⊙ DENOTES SCREW DRIVER ADJUSTMENTS.  
 ALL SWITCHES SHOWN IN MAX CCW POSITION AND VIEWED  
 FROM FRONT.

⊥ DENOTES CHASSIS CONNECTION.  
 \* 3 WIRE LINE CORD USED IN SOME UNITS.  
 † UNITS DESIGNATED "WR-50B V" HAVE POWER TRANSFORMER THAT CAN BE WIRED FOR 120V OR 240V OPERATION



# RCA WR-50B RF Signal Generator

256674

0256674

# Replacement Parts List

When ordering replacement parts, include model and serial number of instrument.  
Parts should be ordered through a local RCA electronic instruments distributor.

Symbol No.	Description	Stock No.
<b>Capacitors</b>		
C-1, C-6	Trimmer, 1.5-10 pf	219975
C-7	Ceramic, 12 pf, 10%, 500 V	235386
C-8	Variable, 10-330 pf	226326
C-9, C-11	Ceramic, 3.3 pf, 20%, 500 V	235385
C-10	Mica, 120 pf, 20%, 500 V	59481
C-12, C-14, C-18, C-24	Ceramic, .005 $\mu$ f, GMV, 500 V	73473
C-13	Paper, 0.1 $\mu$ f, 200 V	228040
C-15, C-27	Ceramic, .001 pf, GMV, 500 V	77252
C-16, C-19	Ceramic, 47 pf, 20%, 500 V	227754
C-17	Paper, .033 $\mu$ f, 400 V	227885
C-20, C-21	Ceramic, .01 $\mu$ f, 20%, GMV, 500 V	73960
C-22	Paper, 0.1 $\mu$ f, 400 V	227530
C-23	Electrolytic, 40/40 $\mu$ f, 150 V	226327
C-25	Paper, 0.1 $\mu$ f, 100 V	228040
C-26	Paper, .047 $\mu$ f, 400 V	227754
<b>Resistors</b>		
R-1	22 K, 10%, 1/2 watt	502322
R-2, R-11	47 K, 10%, 1/2 watt	502347
R-3	68 K, 10%, 1/2 watt	502368
R-4	120 K, 10%, 1/2 watt	502412
R-5, R-15	330 ohms, 10%, 1/2 watt	502133
R-6	33 ohms, 10%, 1/2 watt	502033
R-7	100 ohms, 10%, 1/2 watt	502110
R-8	Variable, 500 ohms	226433
R-9	Variable, wire wound, 2500 ohms	235384
R-10	180 ohms, 10%, 1/2 watt	502118
R-12	470 K, 10%, 1/2 watt	502447
R-13, R-21	100 K, 10%, 1/2 watt	502410
R-14	2700 ohms, 10%, 1/2 watt	502227
R-16, R-17	1.5 meg, 10%, 1/2 watt	502515
R-18	390 ohms, 10%, 1/2 watt	502139
R-19	180 K, 10%, 1/2 watt	502418
R-20	Variable, 15 K, w/switch S-6	235378
R-22	1000 ohms, 10%, 1 watt	512210
R-23	6800 ohms, 10%, 1/2 watt	502268
R-24	2200 ohms, 10%, 1/2 watt	502222
R-25	560 ohms, 10%, 1/2 watt	502156
<b>Coils</b>		
L-1	85-200 kc	226378
L-2	200-550 kc	226329
L-3	550-1700 kc	226330
L-4	1.5-4.5 mc	226331
L-5	4.2-14 mc	226332
L-6	12-40 mc	226333
L-7	550 kc	226329
L-8	10.7 mc	235387
<b>Miscellaneous</b>		
CR-1	Diode, type IN3756	235382
CR-2	Diode, type IN3754	229040
CR-3	Diode, varactor	235382
S-1	Switch, range	235380
S-2	Switch, slide, SPDT	101247
S-3, S-4	Switch, slide, SPDT	235381
S-5	Switch, slide, DPDT	227560
S-6	Part of R-20	
T-1	Power transformer	98192
T-1 V1	Power transformer for V1 units (240 V)	246333
T-2	Audio transformer	226325
	Case assembly	235379
	Connector, MOD IN/OUT	232121
	Handle	226241
	Knob, pointer	212148
	Knob, black rubber	94878
	Knob, w/set screw	226689
	Pilot light	229727
	Indicator assembly	227583
	Crystal socket	56262
	Shell, for probe (2 pieces)	219485