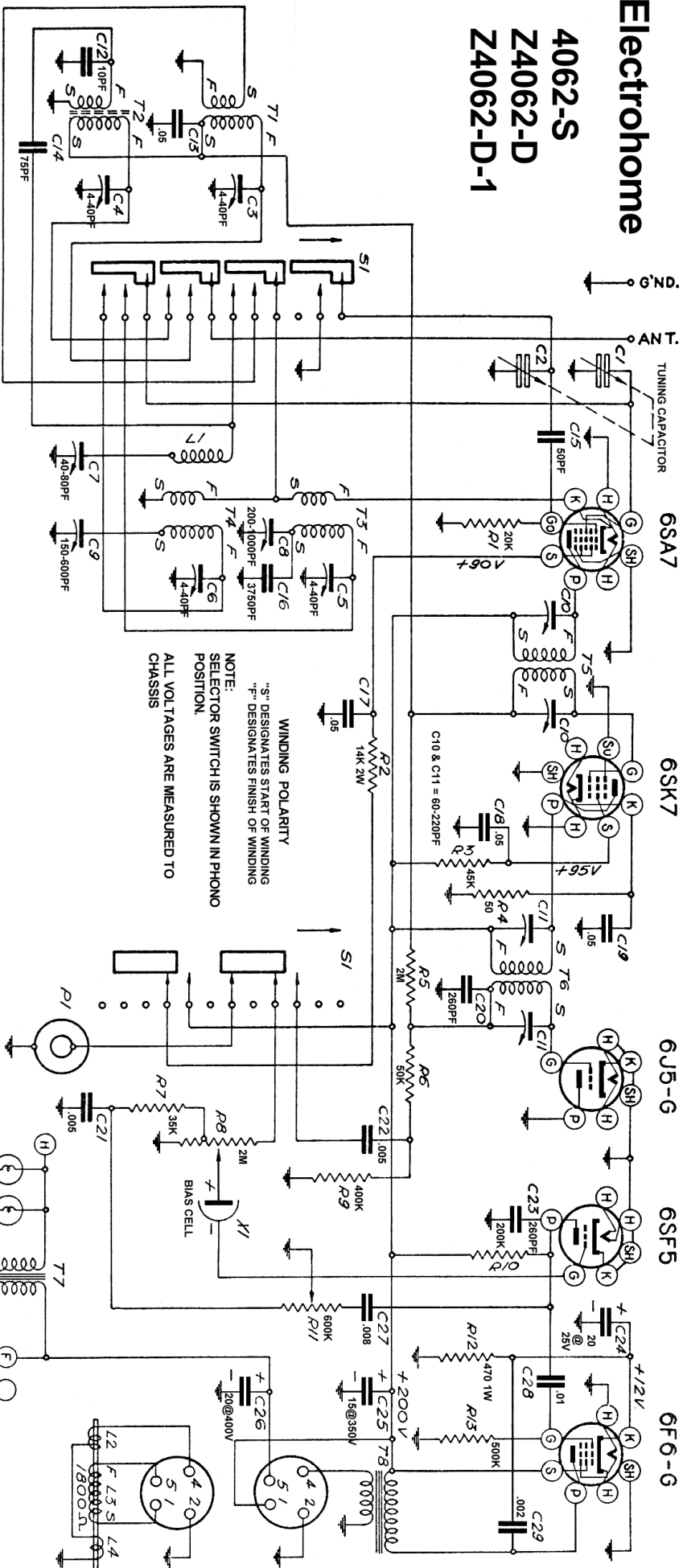


Electrohome

4062-S
Z4062-D
Z4062-D-1



WINDING POLARITY
"S" DESIGNATES START OF WINDING
"F" DESIGNATES FINISH OF WINDING
NOTE:
SELECTOR SWITCH IS SHOWN IN PHONO
POSITION.
ALL VOLTAGES ARE MEASURED TO
CHASSIS

ALIGNMENT — PROCEED IN SEQUENCE LISTED.

Band	Band Switch Setting	Dummy Antenna	Connect Generator To	Radio Dial Setting	Generator Frequency	Trimmer Adjusted	Adjustment
1st I. F.	B. C.	.1 Mfd.	Grid of 6SA7	1650 K. C.	455 K. C.	1st I. F. C-10	Maximum Output
2nd I. F.	B. C.	.1 Mfd.	Grid of 6SK7	1650 K. C.	455 K. C.	2nd I. F. C-11	Maximum Output
1450 K. C.	B. C.	75 Mmf.d.	Antenna	1450 K. C.	1450 K. C.	B. C. Osc. C-6 B. C. Ant. C-4	Maximum Output
600 K. C.	B. C.	75 Mmf.d.	Antenna	600 K. C.	600 K. C.	B. C. Padder C-9	Maximum Output
17 M. C.	S. W.	250 Ohm	Antenna	17 M. C.	17 M. C.	S. W. Osc. C-5 S. W. Ant. C-8	Maximum Output
6 M. C.	S. W.	250 Ohm	Antenna	6 M. C.	6 M. C.	S. W. Padder C-8	Maximum Output
Wave Trap	B. C.	75 Mmf.d.	Antenna	535 K. C.	455 K. C.	Wave Trap Trimmer C-7	Minimum Output

