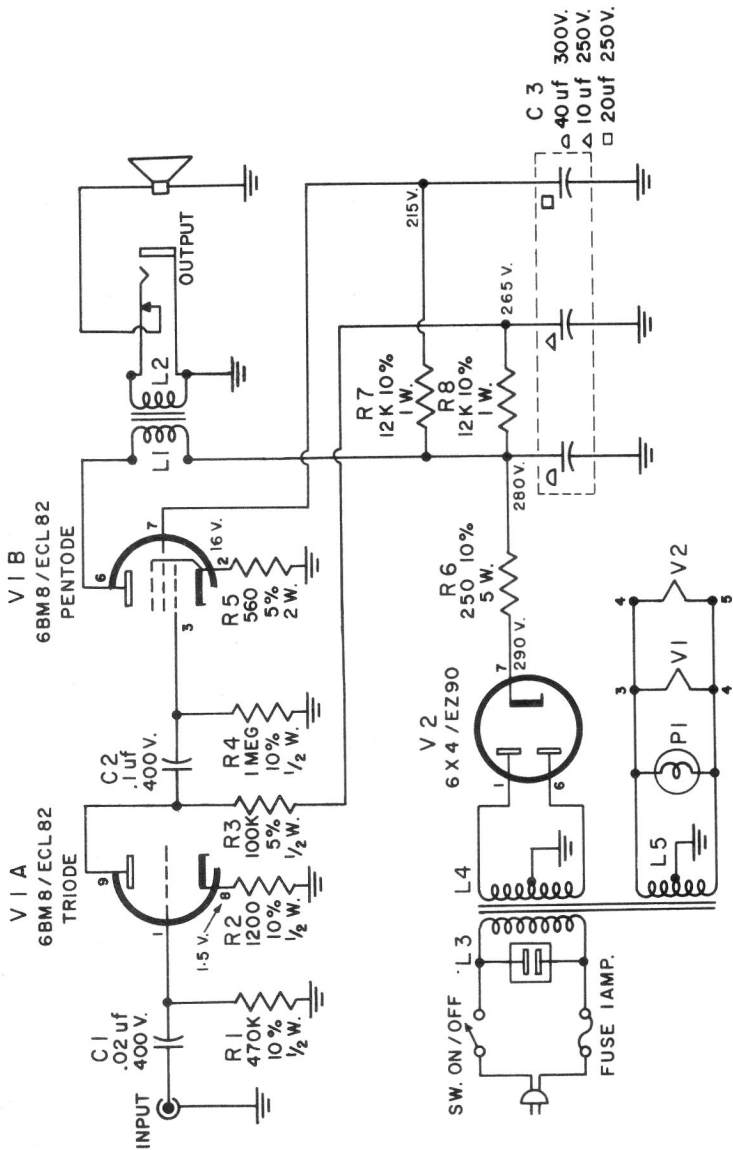


# SERVICE DATA

## STEREOPHONIC UNIT

### MODEL SCP 10 GY



#### PARTS LIST

Power Transformer	05040100
Output Transformer	05020200
Filter Capacitor	51662800
Speaker AD3500M	041-197
Pilot Lamp	64302300
	6.3V 150MA #12

V 1	6BM8/ECL82
V 2	6X4/EZ90

COMPILED AND PUBLISHED BY

**PHILIPS INDUSTRIES LIMITED**

TORONTO - MONTREAL - WINNIPEG

HALIFAX - VANCOUVER