

P6028 PROBE

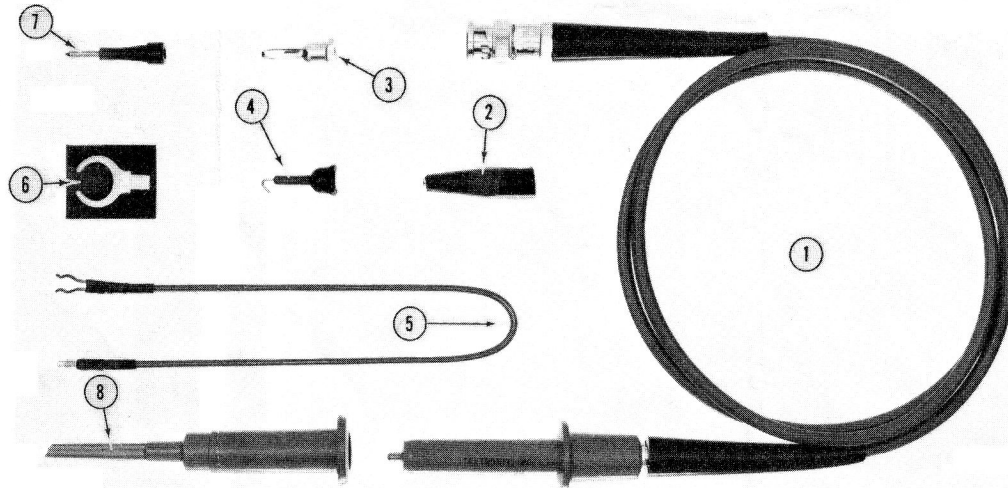



Fig. & Index No.	Tektronix Part No.	Serial/Model No. Eff	Disc	Qty	Description
PROBE PACKAGE					
1-8	010-0074-00				PROBE (BNC), 3.5 feet with standard accessories
	010-0075-00				PROBE (BNC), 6 feet with standard accessories
	010-0076-00				PROBE (BNC), 9 feet with standard accessories
	010-0077-00				PROBE (BNC), 12 feet with standard accessories
PROBE ONLY					
1	010-0120-00				PROBE (BNC), 3.5 feet
	010-0121-00				PROBE (BNC), 6 feet
	010-0122-00				PROBE (BNC), 9 feet
	010-0123-00				PROBE (BNC), 12 feet
STANDARD ACCESSORIES					
2	344-0046-00			1	CLIP, probe
3	134-0013-00			1	PLUG, banana
4	206-0105-00			1	TIP, probe, hook
5	175-0125-00			1	CABLE, groundlead, 12 inch
6	352-0068-00			1	HOLDER, probe, molded
7	206-0060-00			1	TIP, probe, spring
8	013-0071-00			1	PINCHER TIP

010 0075 00

DATA SHEET	
NO.	062-0077-00
DATE	MARCH 1969(R)
 COPYRIGHT © 1966 TEKTRONIX INC. ALL RIGHTS RESERVED	

P-6028

P6028 PROBE

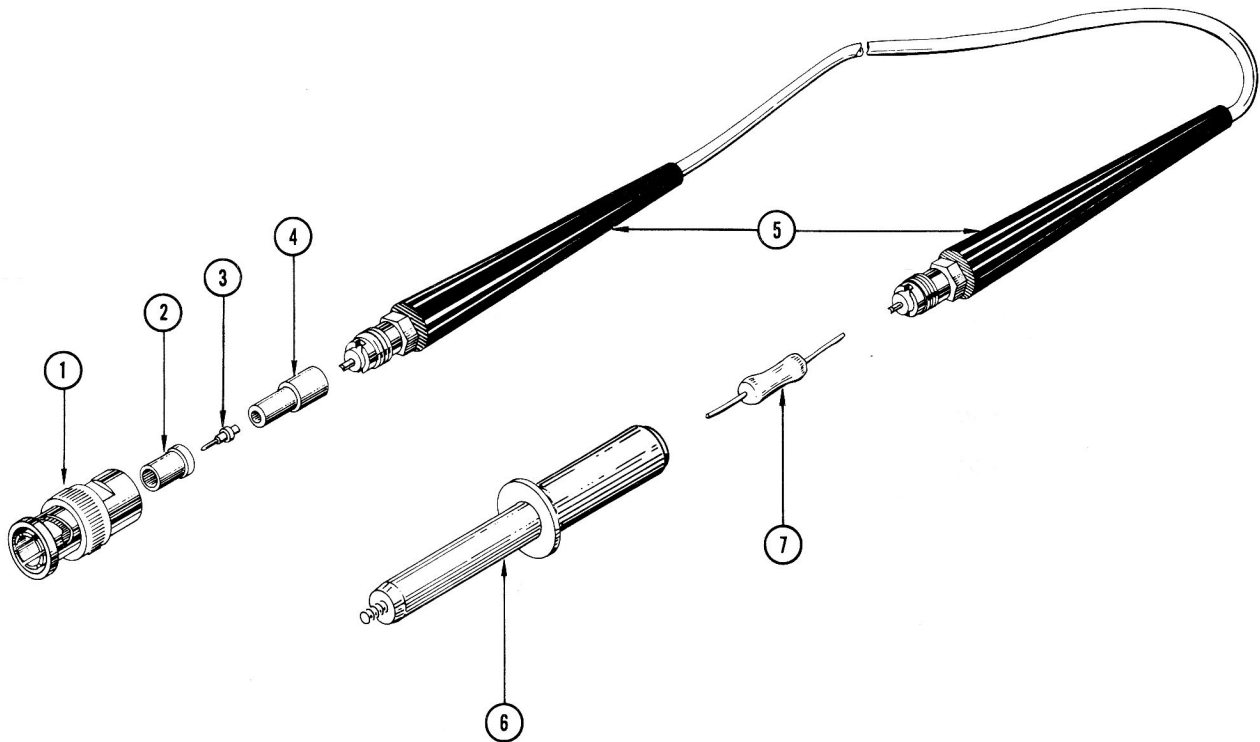


Fig. & Index No.	Tektronix Part No.	Serial/Model No. Eff	Disc	Q † y						Description	
					1	2	3	4	5		
1	134-0044-00			1						1	PLUG, probe, BNC
2	358-0072-00			1						1	BUSHING, insulator
3	214-0109-00			1						1	PIN, probe contact, male
4	361-0022-00			1						1	SPACER, plastic
5	175-0197-00		6549	1						1	CABLE ASSEMBLY (3.5 feet)
	175-0366-00	6550		1						1	CABLE ASSEMBLY (3.5 feet)
	175-0198-00		6549	1						1	CABLE ASSEMBLY (6 feet)
	175-0366-01	6550		1						1	CABLE ASSEMBLY (6 feet)
	175-0199-00		6549	1						1	CABLE ASSEMBLY (9 feet)
	175-0366-02	6550		1						1	CABLE ASSEMBLY (9 feet)
	175-0200-00		6549	1						1	CABLE ASSEMBLY (12 feet)
	175-0366-03	6550		1						1	CABLE ASSEMBLY (12 feet)
6	204-0219-00			1							BODY, probe (3.5 feet)
	204-0220-00			1							BODY, probe (6 feet)
	204-0221-00			1							BODY, probe (9 feet)
	204-0222-00			1							BODY, probe (12 feet)
	- - - - -			-							body includes:
	213-0075-00			1							SCREW, set, 4-40 x 3/32 inch
	213-0076-00			1							SCREW, set, 2-56 x 1/8 inch
7	302-0560-00		6549	1							RESISTOR, 65 Ω, 1/2 W, 10% (3.5 feet only)
	302-0470-00	6550		1							RFSISTOR, 47 Ω, 1/2 W, 10% (3.5 feet only)
	302-0100-00			1							RESISTOR, 10 Ω, 1/2 W, 10% (6 feet only)