

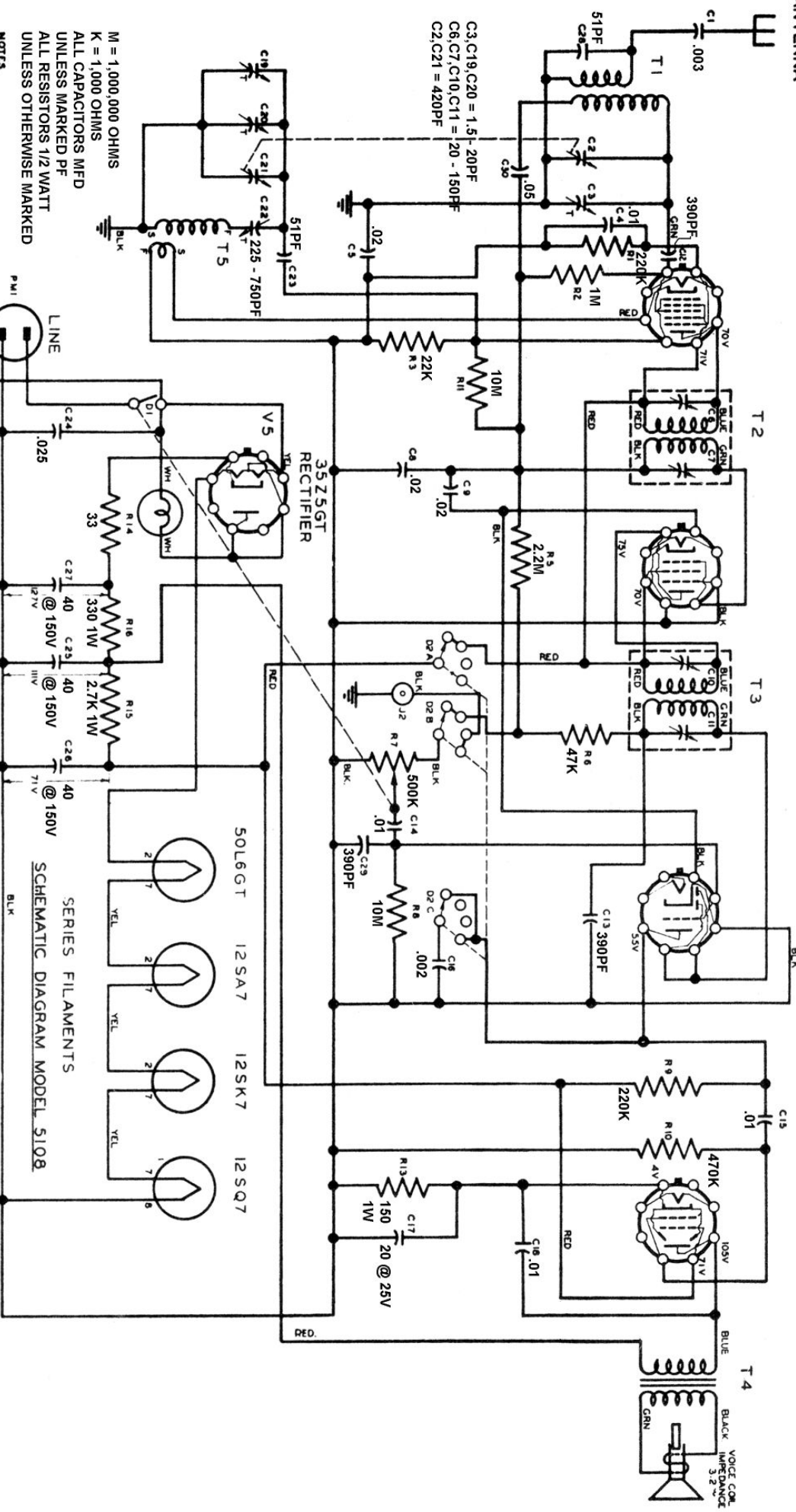
ANTENNA

12SA7
CONVERTER
V1

12SK7
I.F. AMPLIFIER
V2

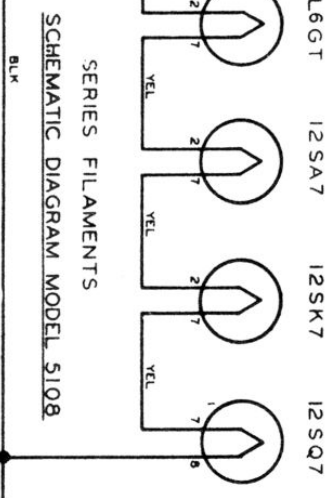
12SQ7
2ND. DETECTOR A.V.C.
& 1ST. A.F. AMPLIFIER
V3

50L6GT
OUTPUT AMPLIFIER
V4



- 1- ALL VOLTAGES ARE READ FROM COMMON NEGATIVE LEAD WITH A 20000 OHM/VOLT VOLTMETER AND THE ABOVE READINGS ARE FOR 117V INPUT
- 2- WIRING SIDE OF TUBES SHOWN.

Northern Electric 5108 Radio Phonograph



NOTES
 1- ALL VOLTAGES ARE READ FROM COMMON NEGATIVE LEAD WITH A 20000 OHM/VOLT VOLTMETER AND THE ABOVE READINGS ARE FOR 117V INPUT
 2- WIRING SIDE OF TUBES SHOWN.

ALIGNMENT

Alignment procedure should be carried out according to the following table and in the order shown.

Alignment Frequency	Dummy Antenna	Receiver Connection	Items to be adjusted for maximum output and their location.
I.F. 455KC	.1 Mfd Paper	Antenna Section Gang	I.F. Trimmers, items C6, C7, C10 and C11, on I.F. Transformers (tuning gang open)
B.C. 1400KC	100 Mmf Mica	Antenna Terminal	(a) Oscillator trimmers on gang, C19 and C20. (b) Antenna trimmer on gang C3.
B.C. 600KC	100 Mmf Mica	Antenna Terminal	Oscillator lag trimmer C22

Recheck at 1400 KC

