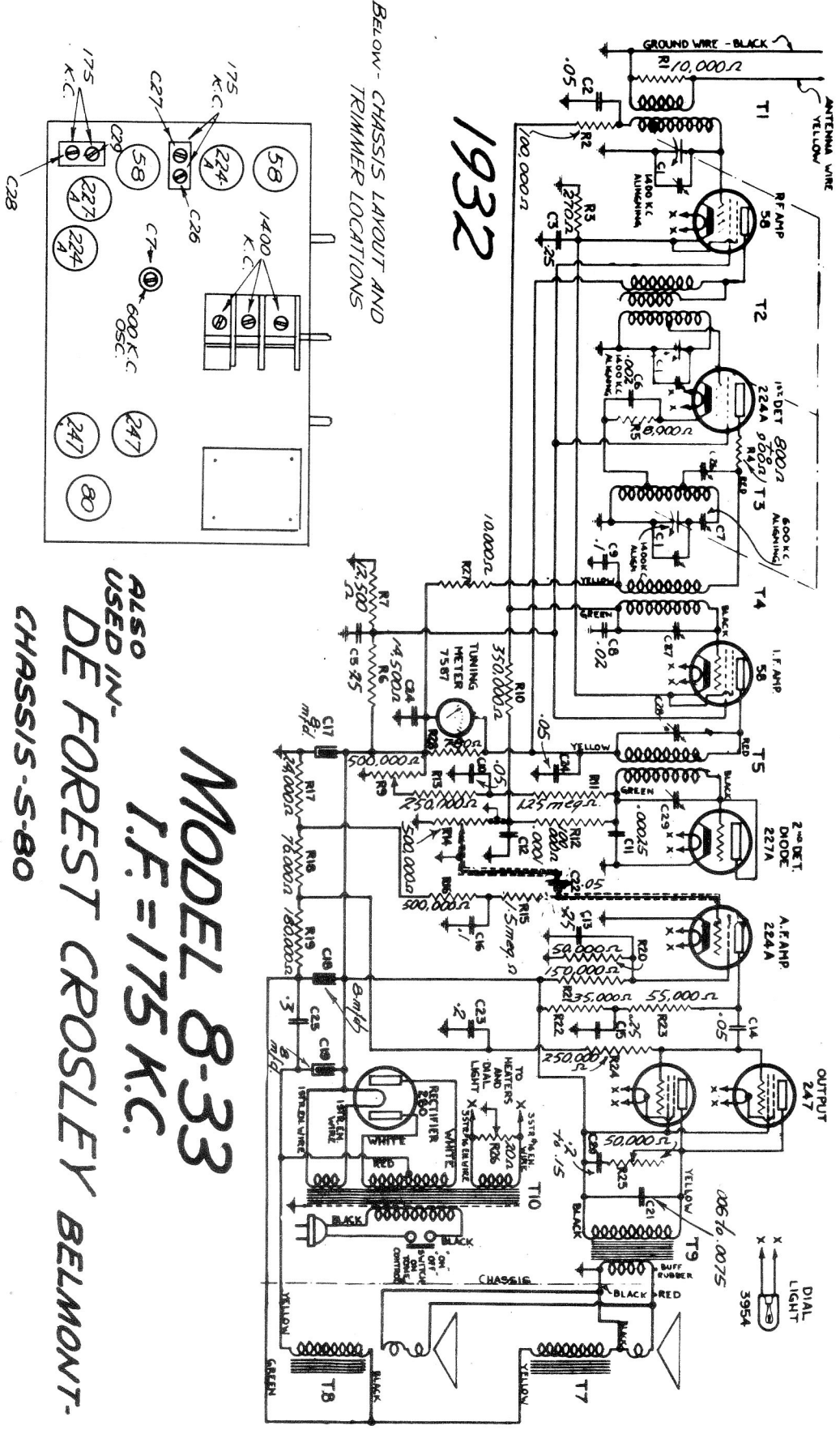


1932



BELOW - CHASSIS LAYOUT AND TRIMMER LOCATIONS

MODEL 8-33
 I.F. = 175 K.C.
 ALSO USED IN -
 DE FOREST CROSLLEY BELMONT.
 CHASSIS - S-80