

SENSATIONAL!

is the word for The New Miller Band-Pass TRF tuner using a germanium diode detector.

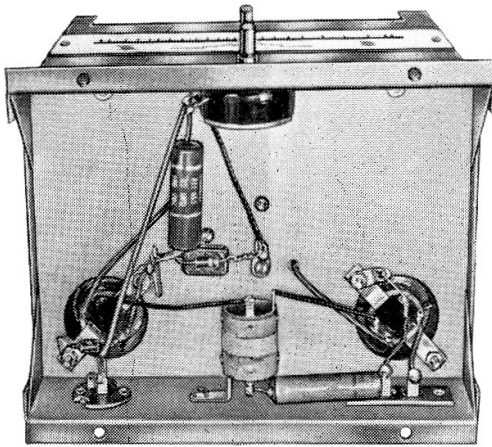
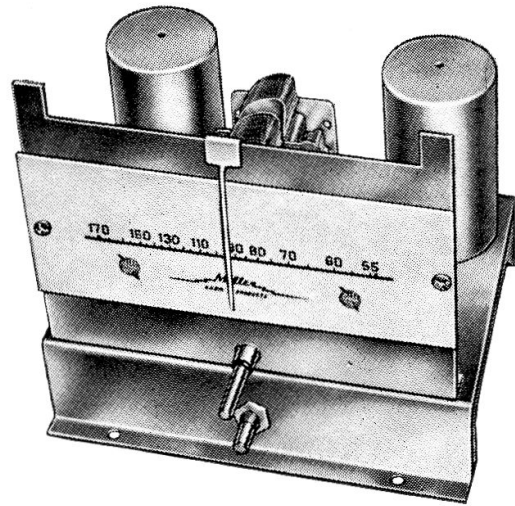
No Tubes!

No Power Supply!

No Hum!

A simple 2-tuned circuit negative mutual coupled band pass tuner.

Simple, easy to assemble and wire.



In spite of its simplicity and low cost the #585 kit is not a toy:—it is a carefully designed High Fidelity Broadcast band tuner.

Use it with your amplifier and speaker system for truly high quality reception.

Designed for reception from local (20-25 mile range) stations only, the tuner offers many advantages to the P. A. system and recording studio operator as well as to the average listener who has a high gain quality sound system and wishes to obtain the utmost in broadcast reception.

The audio output of the tuner is proportional to the input signal and will vary from .05V to .5V for stations within a 20-25 mile radius when used with a good antenna of from 75 to 100 feet in length. **A good antenna is absolutely essential to the proper operation of the #585 tuner.**

The band width of the tuner is approximately 25 KC at the 2 db points (measured at 900 KC). Because of the high quality, high "Q" coils used in the tuned circuit, the selectivity is adequate for separation of all local stations.

The following parts are supplied with the Miller #585 kit:

1 EL-55 mutual coupling coil	\$.75
2 242-A shielded TRF coils	3.00
1 2112 2-gang condenser	4.50
1 152-H slide rule dial	6.00
1 585 chassis	4.25
Misc. hardware and data50

TOTAL LIST PRICE #585 KIT.....\$19.00

Parts not included in #585 kit are obtainable from your Jobber. They are listed below:

- 1 .05 mfd. 200 volt tubular condenser
- 1 .015 mfd. 200 volt tubular condenser
- 1 100,000 ohm ½ watt resistor
- 1 .00025 mfd. mica condenser
- 1 500,000 ohm audio volume control
- 1 1N34 or 1N48 germanium diode detector

J. W. MILLER COMPANY

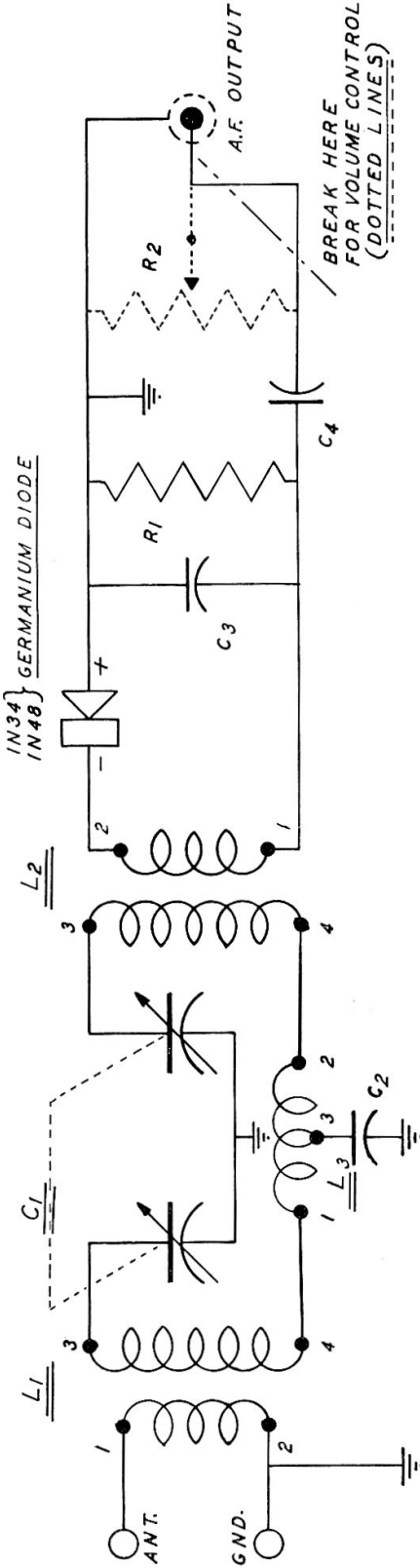
5917 S. Main Street

Los Angeles 3, California

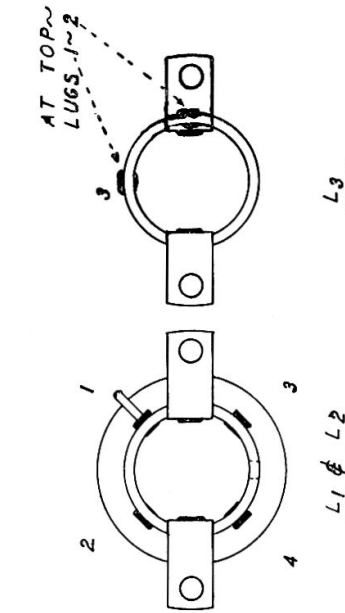
DWG. NO. **B-58510**

BAND-PASS TUNER

540 - 1750 K.C.



- #242-A COIL
- #242-A COIL
- #EL-55 COIL
- #2112 2-GANG CONDENSER
- .015 MFD. 200 VOLT
- .00025 MFD. 200 VOLT
- .05 MFD. 200 VOLT
- 100,000 Ω 1/2 WATT
- 500,000 Ω VOLUME CONTROL



ITEM	DESCRIPTION	PART NO.
BROADCAST "HI-FI" TUNER ~ CRYSTAL DETECTOR ~		
ISSUE	USED ON: STOCK	585
DWG. BY:	P.O.C.	DATE: 3-1-49
APP. BY:		SCALE: N.T.S.
J. W. MILLER CO. 5017 SO. MAIN LOS ANGELES, CALIF.		
DWG. NO. B-58510		