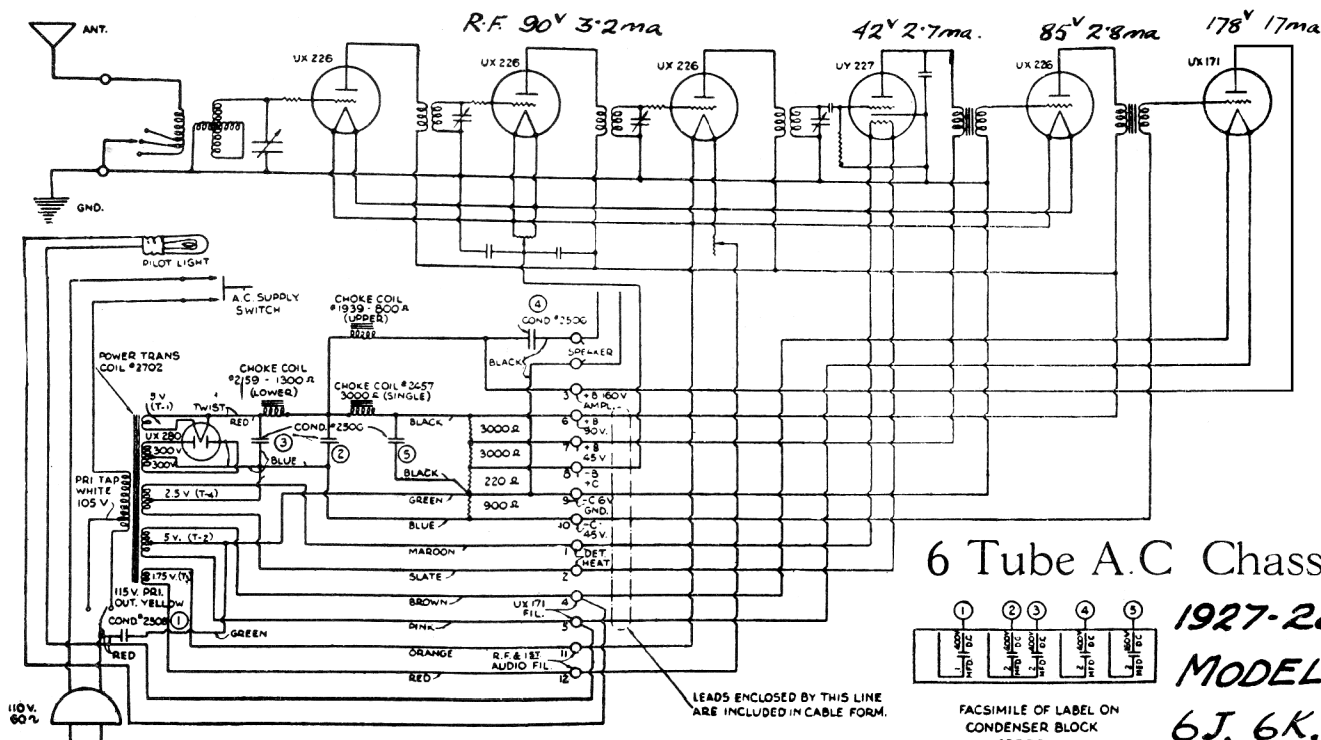
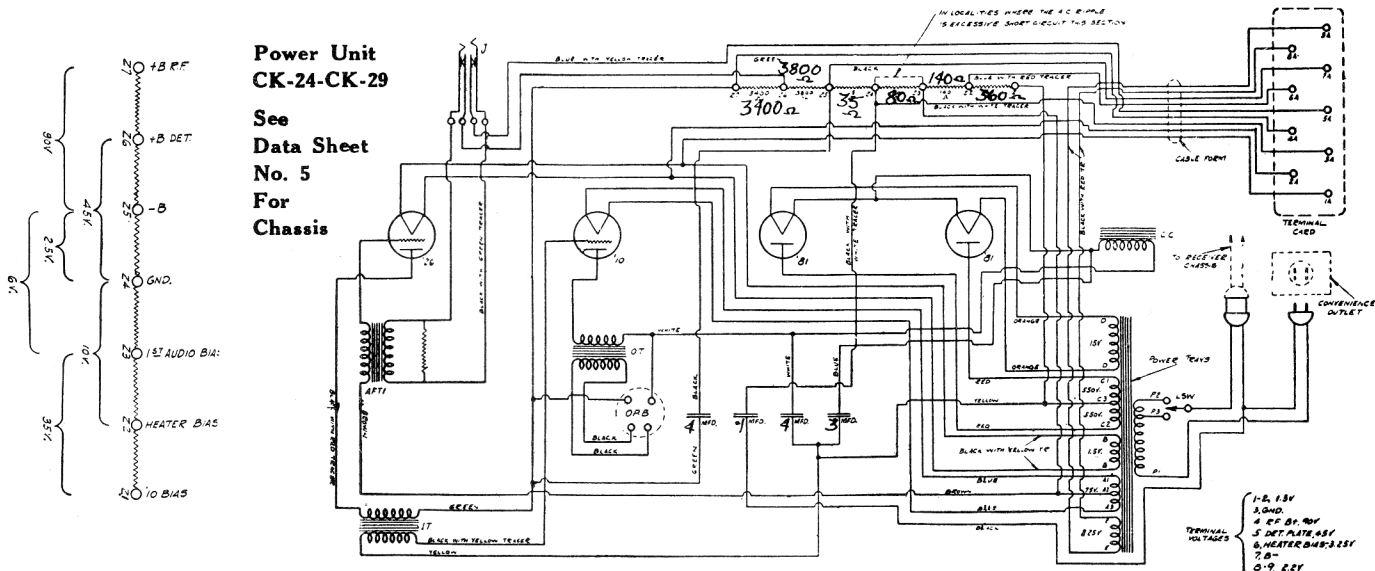


Battery Models
1927-8-9

Power Unit
CK-24-CK-29
See
Data Sheet
No. 5
For
Chassis



Schematic wiring diagram of 60 cycle models 6-J, 6-EE, 6-RR and 6-K.