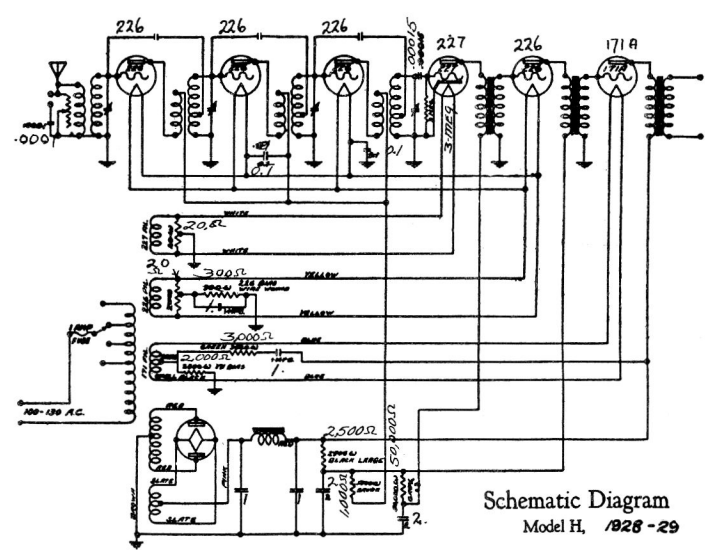
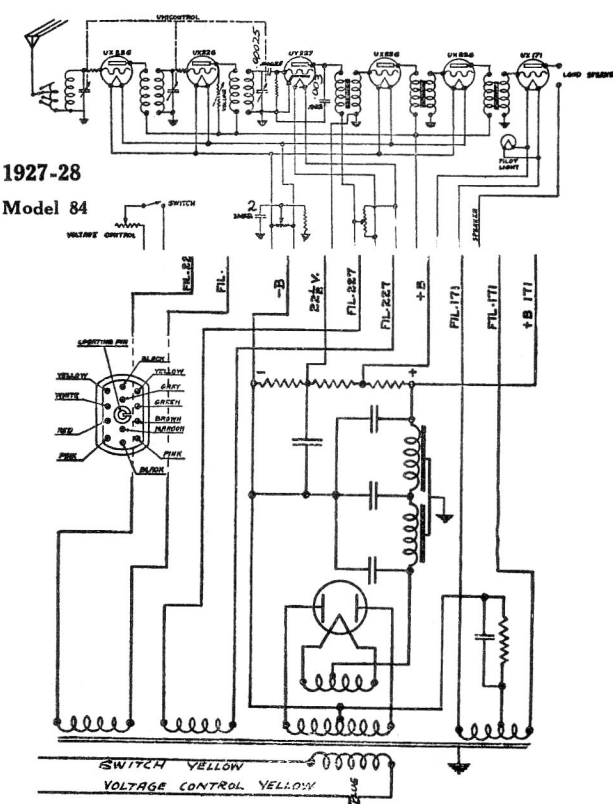


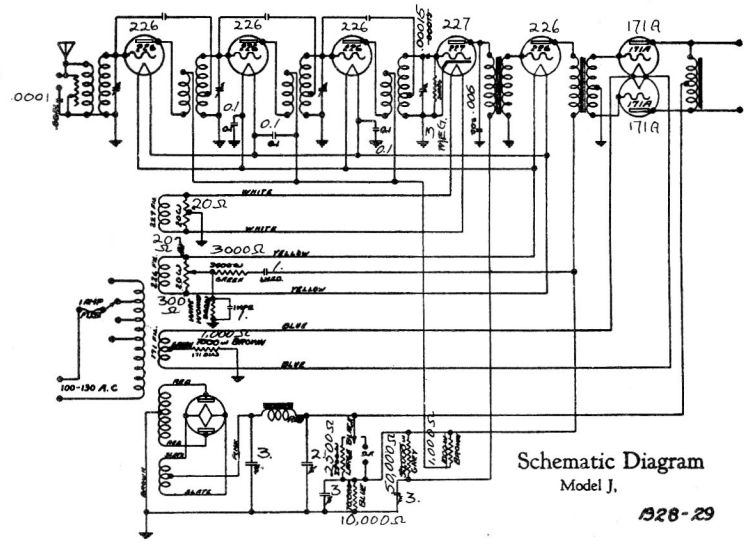
1927-28  
Model 82  
Power Unit  
and Chassis.



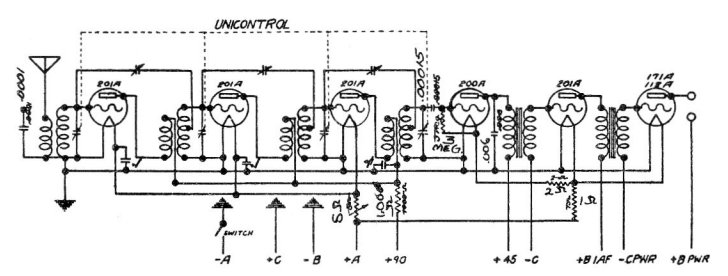
Schematic Diagram  
Model H, 1928-29



1927-28  
Model 84



Schematic Diagram  
Model J,  
1928-29



Schematic Drawing  
Model G,  
1928-29