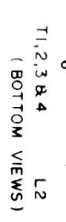


⊕ = B-
 ⊖ = B-

⊕ = EXTERNAL CONNECTION TO PRINTED BOARD
 VOLTAGES MEASURED TO B- WITH A VTVM ±20%, NO SIGNAL
 FM POSITION UNLESS OTHERWISE NOTED. B+ VOLTAGES SHOULD
 BE APPROX. 2V HIGHER IN AM POSITION.
 RESISTANCE VALUES ARE IN OHMS, K=1,000, MEG=1,000,000
 CAPACITANCE VALUES LESS THAN (1) ARE IN MICROFARADS
 (μF), AND VALUES OF (1) OR GREATER ARE IN MICROMICROFARADS
 (μμF) UNLESS OTHERWISE INDICATED.
 7777 = SW 4 BRACKET, VOLUME CONTROL CASE
 SPEAKER FRAME AND TUNING ASSEMBLY BRACKET

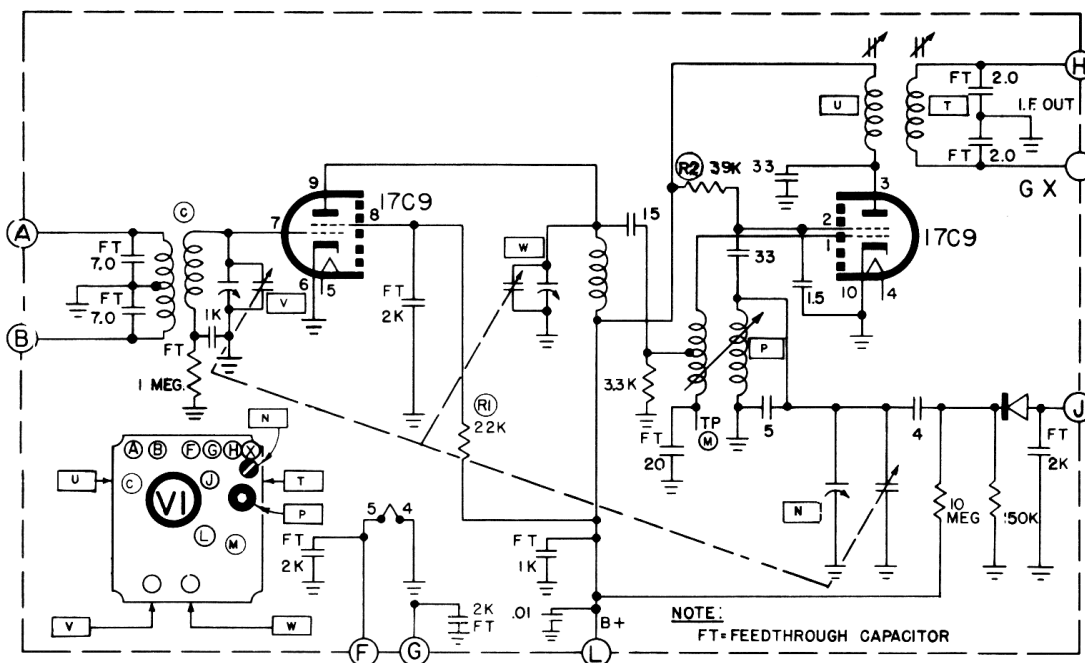


Fleetwood 5069

FM ALIGNMENT PROCEDURE

NOTE: Align with AFC in "Off" position.

Step	Signal Generator Coupling	Generator Frequency	Dial Setting	VTVM Connection	Adjust Trimmer	Remarks
1	High side Loosely to 17C9 on tuner Low to B-	10.7 MC	Any	High Side Junction of C14-R15 Low to B-	A8-9 A10-11 -12	Keep reading of VTVM below 2 volt.
2	Same	10.7 MC	Any	VTVM centered high side to junction R7-R9 R10- Low B-	A7	Adjust for center with high input.
3	Terminate with 300Ω and connect to antenna input	108 MC	108 MC	Output meter or scope across loud-speaker		Check Calibration
4	Same	88 MC	88 MC	Same		Same
5	Same	100 MC	100 MC	Same		Sensitivity 30μV for 50MW output (.56V across SPKR.V.C.)



TUNER DIAGRAM #66492