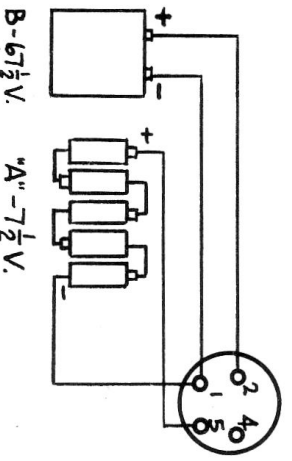


**NOTES:**

1. DENOTES CHASSIS.
2. ALL CAPACITORS IN WHOLE NOS ARE IN MMF. THOSE IN DECIMAL NOS IN MF.
3. ALL RESISTORS IN OHMS UNLESS OTHERWISE NOTED. "K" = 1000 OHMS.



BATTERY SHELF

# Fleetwood 12-49 AC/DC & Battery Operated Receiver

## Serenader 851 AC/DC & Battery Operated Receiver

VOLUME CONTROL

Circuit Designation	Value	Mfrs. No.
R6	1 Meg.	12-144

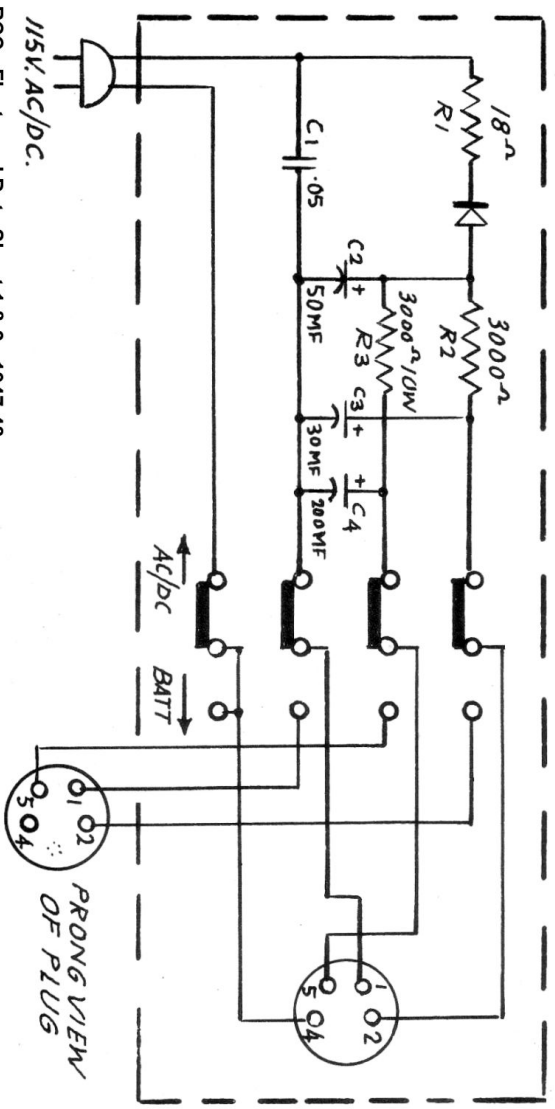
CAPACITORS

C1, 2, 3, 4	Tuning Gang
C5	300 mmfd. mica
C6, 9, 17	.02 mfd. pp.
C7	.01 mfd. pp.
C8	.05 mfd. pp.
C14, 16	100 mmfd. mica
C15	500 mmfd. mica
C18	.002 mfd. pp.
C19	.005 mfd. pp.

MISCELLANEOUS

L1	Ant. Loop	12-168
L2	Osc. Coil	12-SM107
T1	1st. I.F. Trans.	12-SM107
	2nd. I.F. Trans.	12-169
	Output Trans.	12-K3214
	Speaker PM	2410
		8

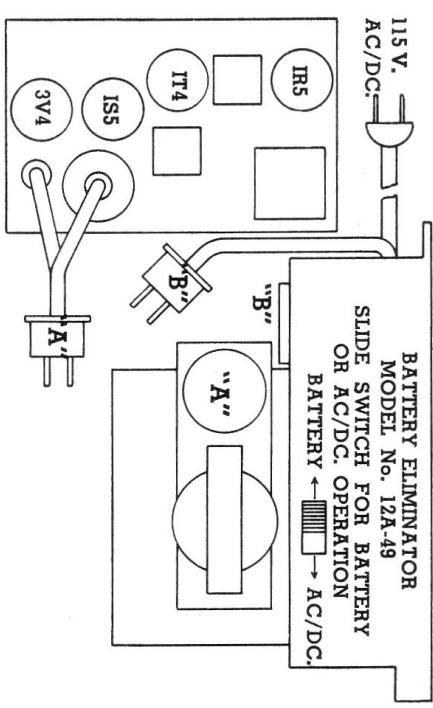
Exact size of speaker not given but 4" Jensen is P4V and a 5" P5V.



CAPACITORS

Circuit Designation	Value	AEROVOX No.
C1	.05 mfd. pp.	684
C2	50 mfd. elec.	PRT150
C3	30 mfd. elec.	PRT150

AEROVOX



METHOD OF INSTALLING BATTERY ELIMINATOR

AC/DC AND BATTERY:

INSERT PLUG "A" INTO SOCKET "B", AND INSERT PLUG "B" INTO SOCKET "A".

INSTRUCTIONS BATTERIES ONLY: INSERT PLUG "A" INTO SOCKET "A".

# Fleetwood 12-49

(Power Unit 12A49)

## Serenader 851

(Power Unit 851-2)

# AC/DC & Battery Operated Receiver