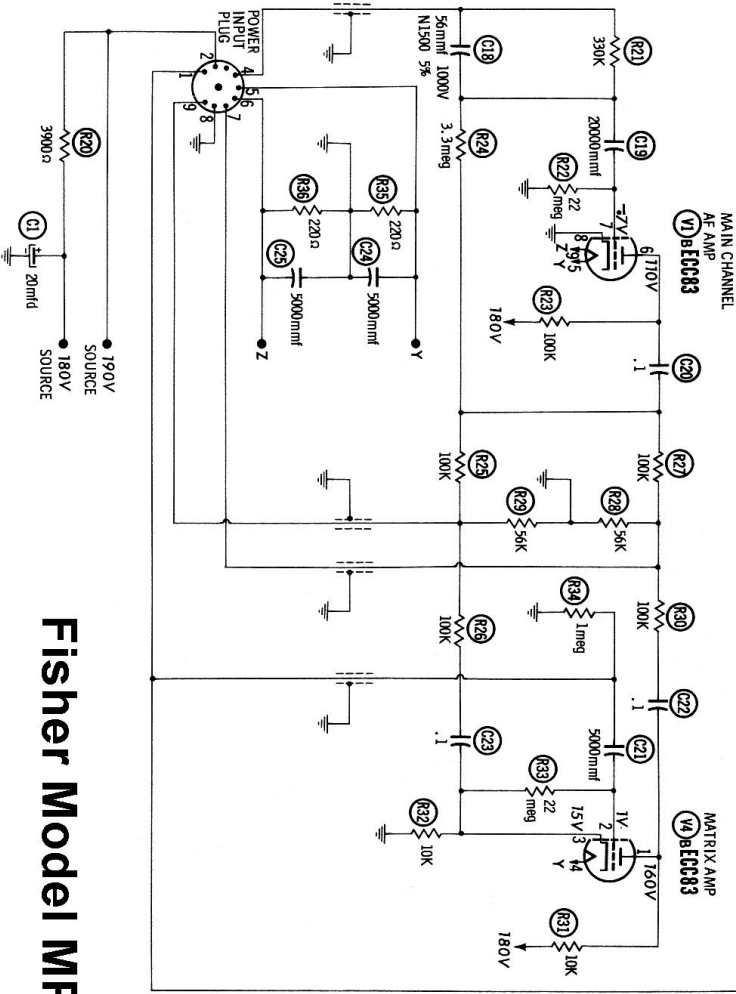


1. DC voltage measurements taken with vacuum tube voltmeter;
2. AC voltages measured at 1000 ohms per volt;
3. Socket connections are shown as bottom views;
4. Measured values are from socket pin to common negative;
5. Line voltage maintained at 117 volts for voltage readings;
6. Nominal tolerance of component values makes possible a variation of $\pm 15\%$ in voltage and resistance readings.



Fisher Model MPX-20