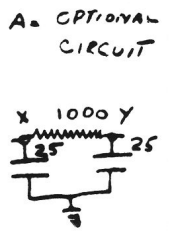
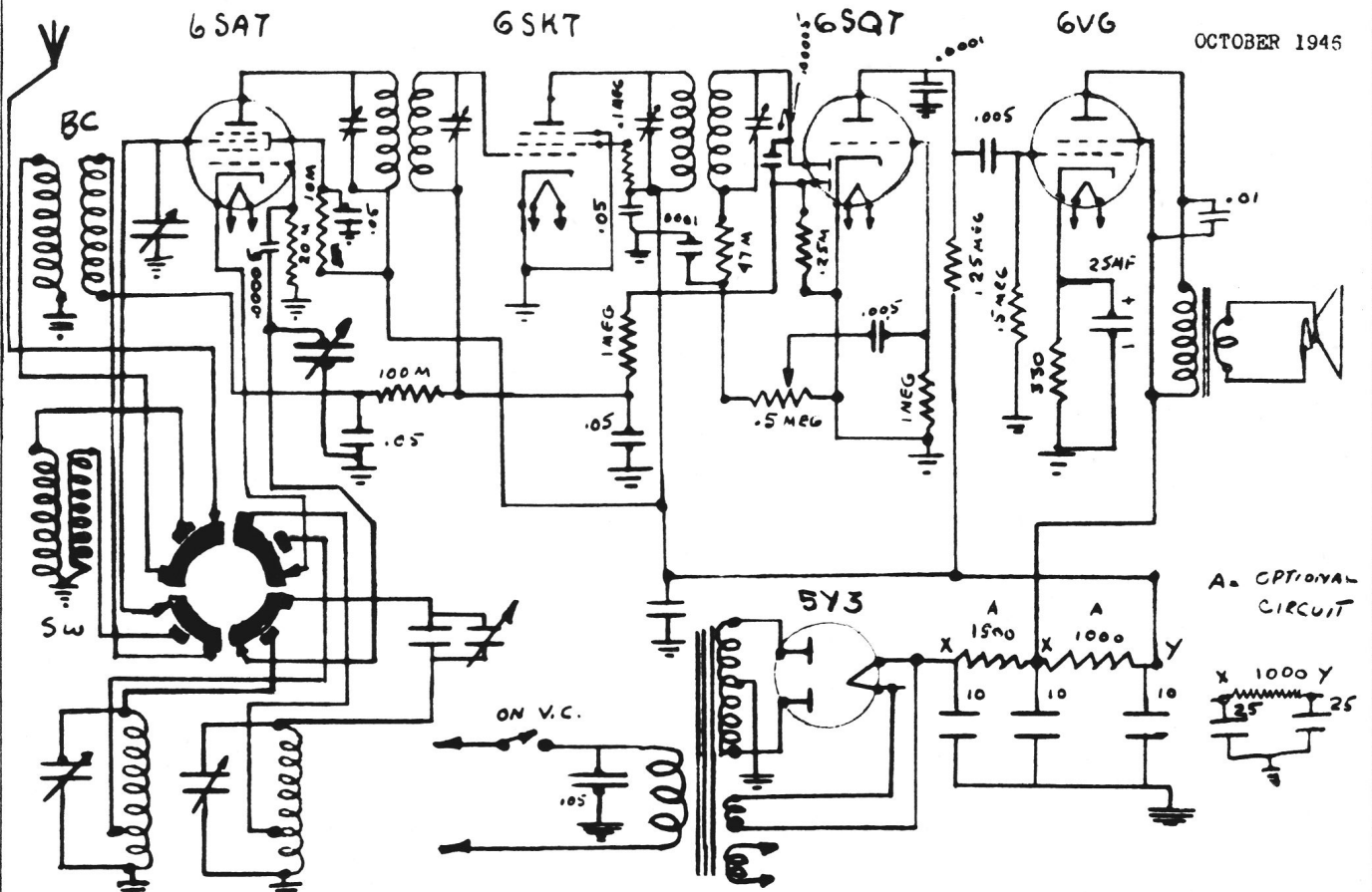
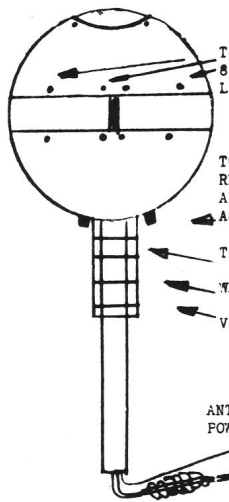


OCTOBER 1945



SW BC



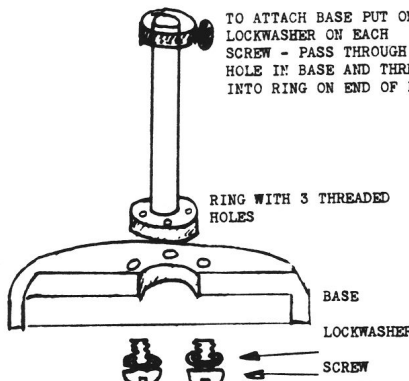
TO CHANGE TUBES - REMOVE 8 TOP DIAL SCREWS AND LIFT OFF TOP BOWL

TO SERVICE CHASSIS - REMOVE 3 CAP NUTS AFTER REMOVING SCREWS AS IN TUBE CHANGE

TUNING COLLAR
WAVE CHANGE COLLAR
VOLUME CONTROL COLLAR

ANTENNA POWER CORD
PUT THESE THROUGH PIPE AND BASE AFTER BASE IS ATTACHED

TO ATTACH BASE PUT ONE LOCKWASHER ON EACH SCREW - PASS THROUGH HOLE IN BASE AND THREAD INTO RING ON END OF PIPE



RING WITH 3 THREADED HOLES

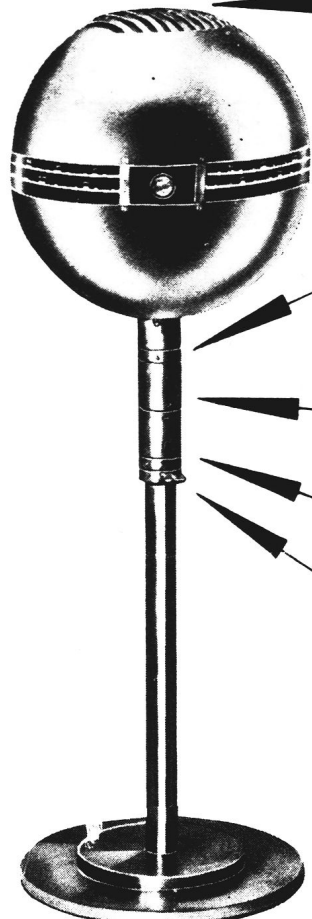
BASE

LOCKWASHER

SCREW

SPEAKER GRID

Reception is evenly distributed.



TUNING

Tuning control in top sleeve over tubular stand revolves entire globe that has oversize dial. Indicator illuminates on station location.

WAVE CHANGE CONTROL

Long and Short Wave.

VOLUME CONTROL

Designed for smooth, easy regulation.

ADJUSTABLE HEIGHT

Height can be adjusted from 3½ feet to 5 feet.

FLOOR MODEL