

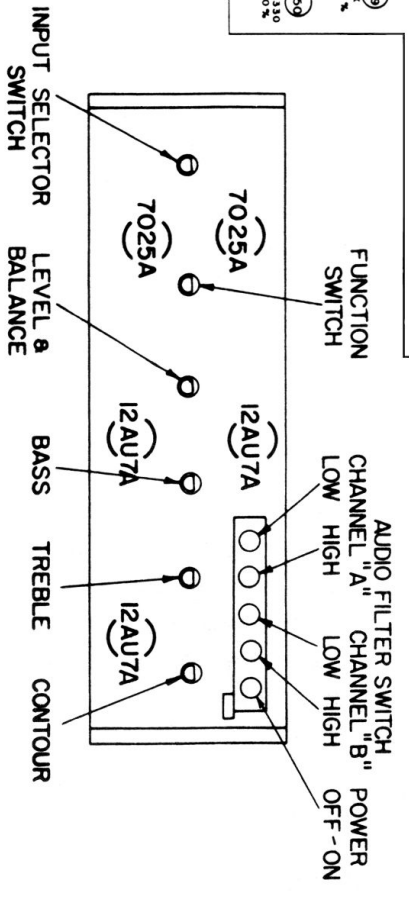
SWITCHES SHOWN IN EXTREME C.W. POSITION

INPUT SELECTOR	FUNCTION SWITCH
1 PHONO	1 CHANNEL A
2 TAPE HEAD	2 CHANNEL B
3 TUNER	3 CHANNEL A+B
4 TAPE	4 STEREO
5 TV	5 REVERSE

COMPONENT VALUES:
 RESISTORS: HALF WATT, UNLESS OTHERWISE NOTED
 10% TOLERANCE, UNLESS OTHERWISE NOTED
 * = 1000 OHMS
 M = 1000,000 OHMS

CONNECTIONS: 1- TUBULAR FOLLOWED BY CAPACITY IN MFD. AND D.C. KV.
 C- ELECTROLYTIC, FOLLOWED BY CAPACITY IN MFD. AND D.C. KV.
 C- CERAMIC, FOLLOWED BY CAPACITY IN MFD. AND TOL. IF CRITICAL

ALL VOLTAGES MEASURED TO CHASSIS WITH 20,000 OHM/VOLT METER AT 1/2 LINE VOLTAGE.



Electrohome PA-700S Preamplifier

NOTE: FOR "A", "B" & "C" HOOK-UPS SEE DR. WG #00-539-02