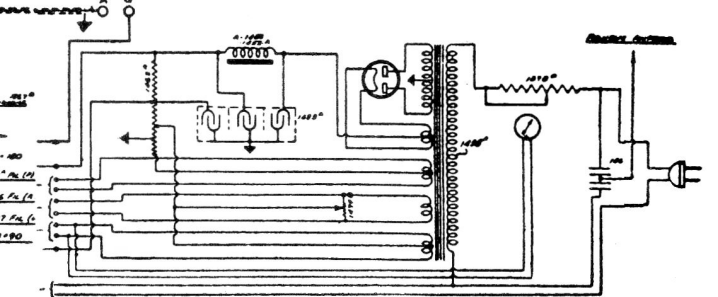
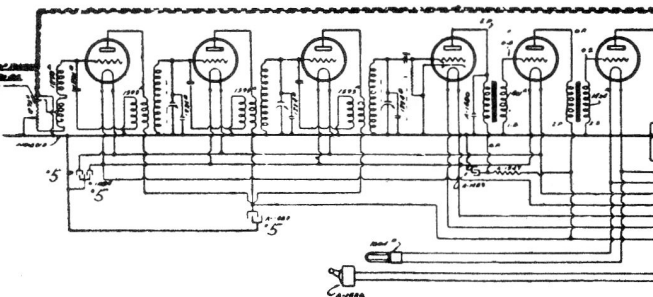
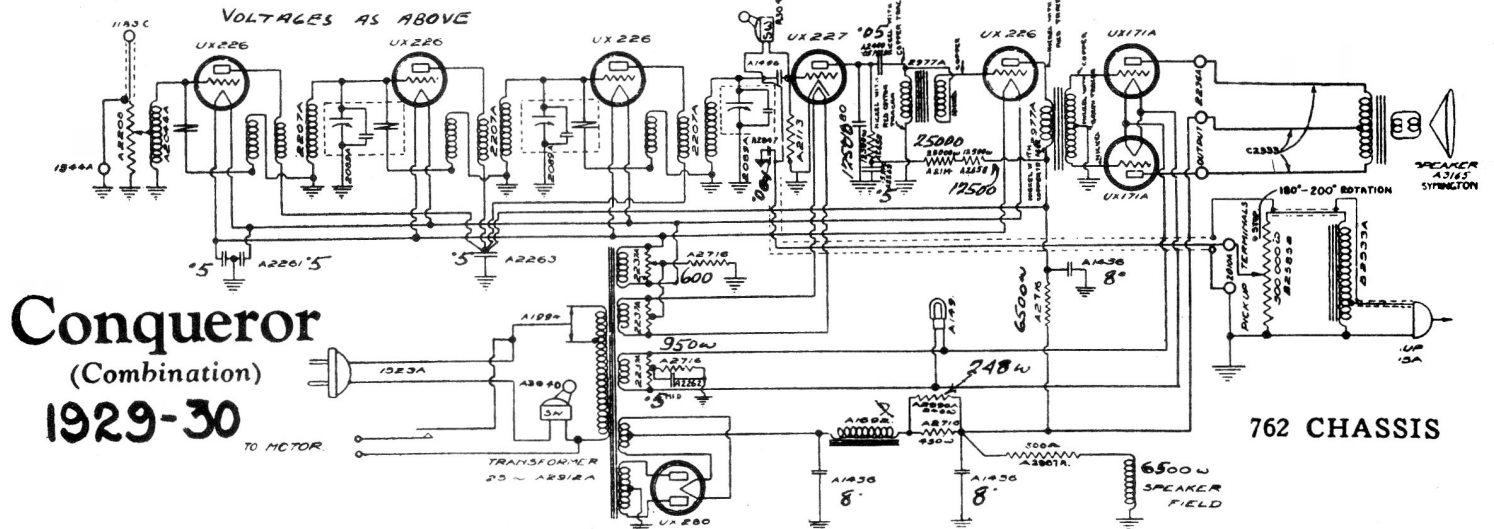
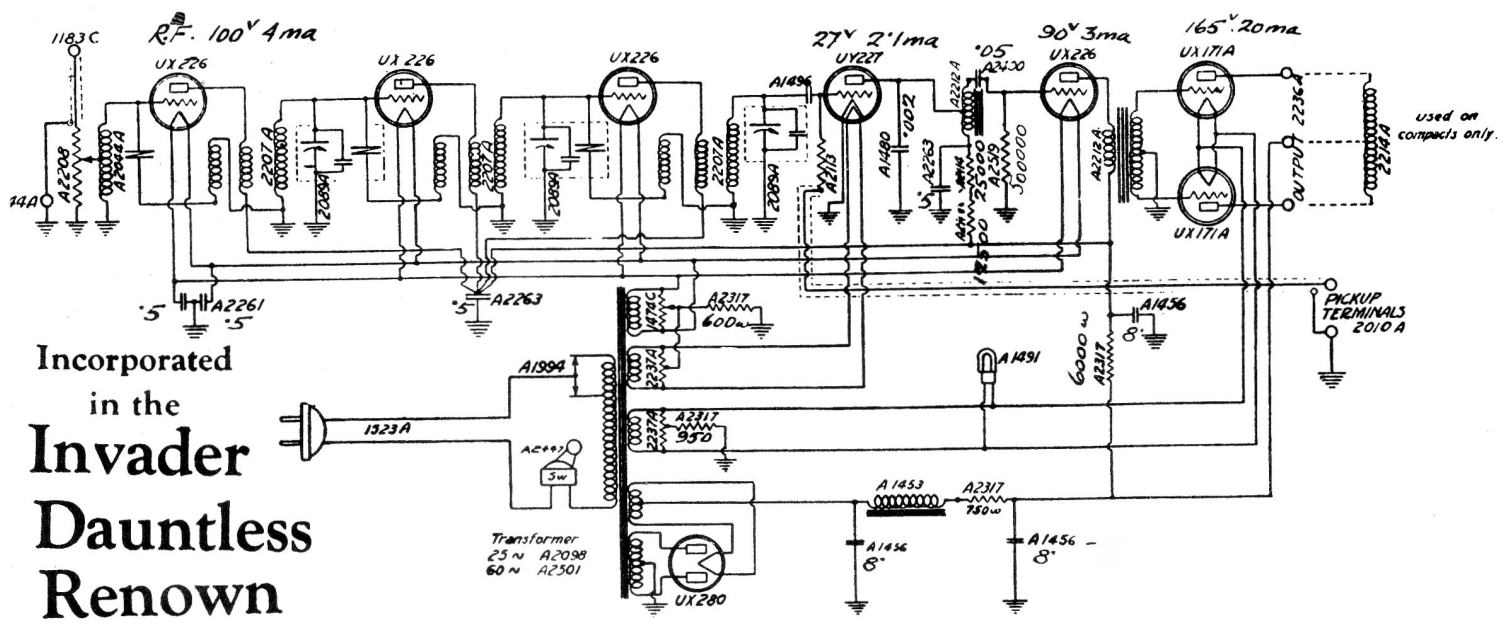


Type 762 Chassis



THE SYMPHONY (Second Series) AND THE ETUDE (AC. 1928)

POWER UNIT FOR ETUDE AND SECOND SYMPHONY SERIES (1928-29)

Printed in Canada

-Courtesy De Forest Crosley Limited

DATA SHEET

DE FOREST CROSLY-7