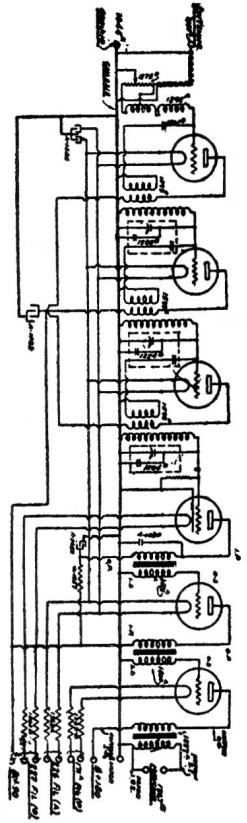
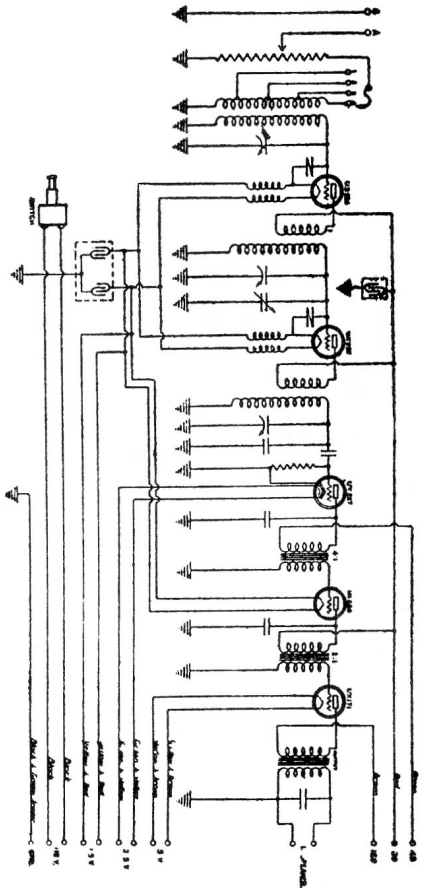


CONSOLE

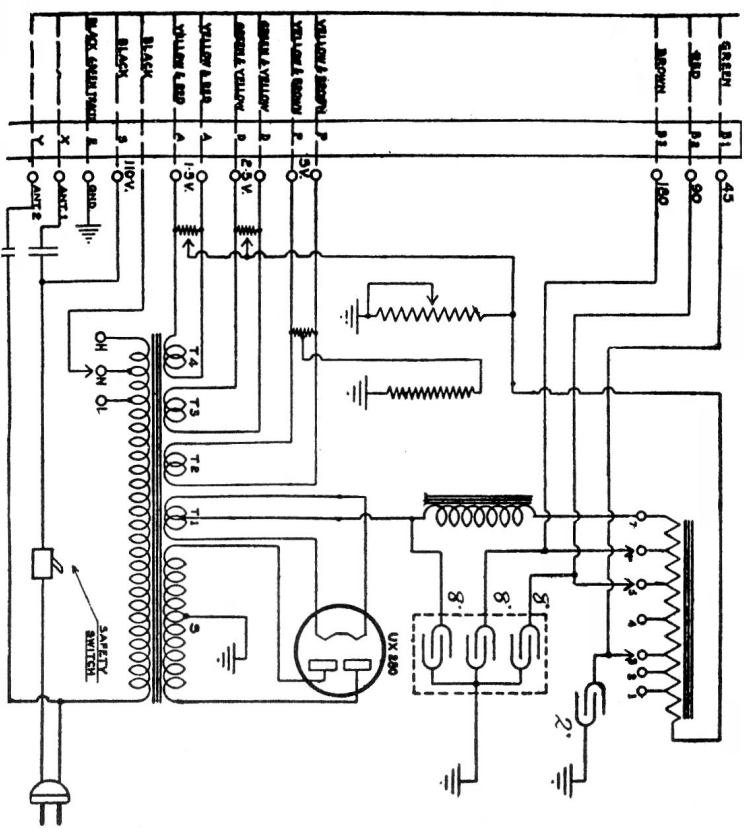


THE SYMPHONY CHASSIS
(First Series—Power Unit Separate) (1928-29)

CONSOLE

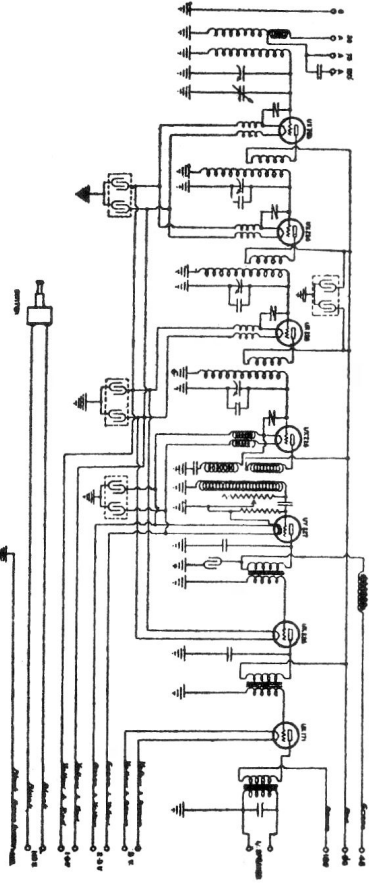


THE ELECTRIC HASTINGS
(1927-28)



THE DE FOREST CROSLEY POWER UNIT
FOR ELECTRIC HASTINGS, BERWICK
AND FIRST SERIES SYMPHONY
MODEL (1927-28)

Also see Data Sheet (No. 8)



THE ELECTRIC BERWICK CHASSIS
(1927-28)

CONSOLE