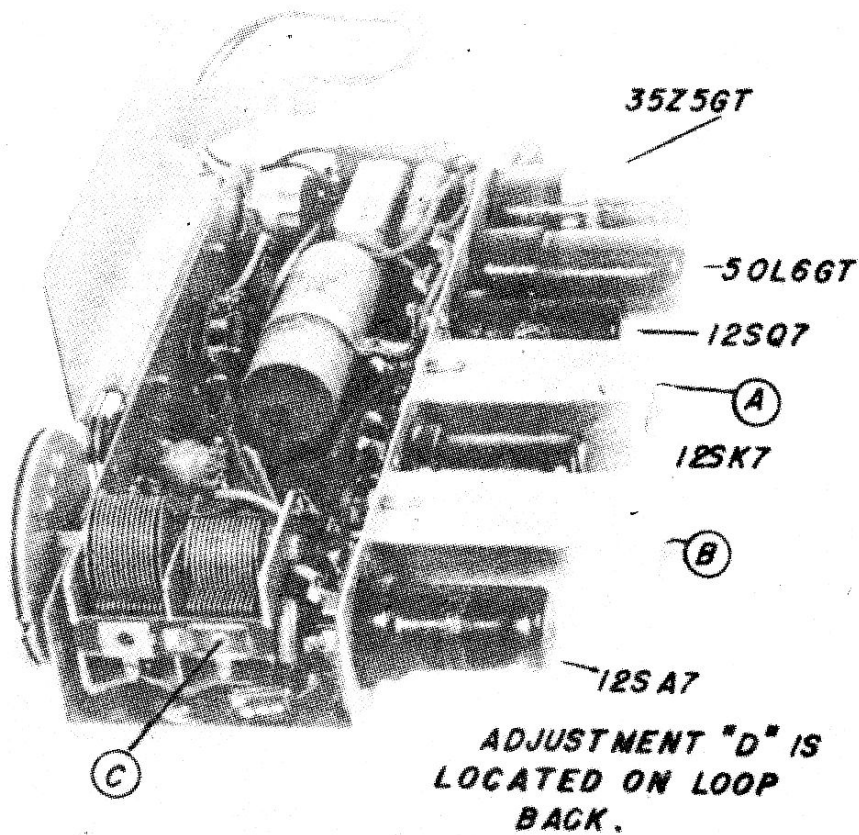


Crosley

A1465 AP A1465 APZ A171 AC AZ171 AC



NOTES:

1. THESE ARE TOP VIEWS OF SOCKETS.
2. MEASURE VOLTAGES FROM SOCKET LUGS TO -B (PIN 3 ON THE 12SK7.)
3. THESE VOLTAGES MEASURED USING 20,000 OHMS PER VOLT VOLTMETER FOR D.C. -1,000 OHMS PER VOLT FOR A.C.
4. WJ - WIRING JUNCTION.
5. NC - NO CONNECTION.
6. * - 25/60 CYCLE A.C. VOLTAGE
7. SOCKET VOLTAGE TOLERANCE, 10%.

Alignment Data, Chassis Layout, Socket Voltage Chart

ALIGNMENT CHART

Alignment Sequence	Signal Generator Output			Position of Tuning Dial	Adjust for Maximum Output
	Frequency in kc.	In Series With	To		
1	455	200 mmf.	Ant.	1,600	A & B
2	1,400	200 mmf.	Ant.	1,400	C
3	1,400	200 mmf.	Ant.	1,400	D

SOCKET VOLTAGE CHART

