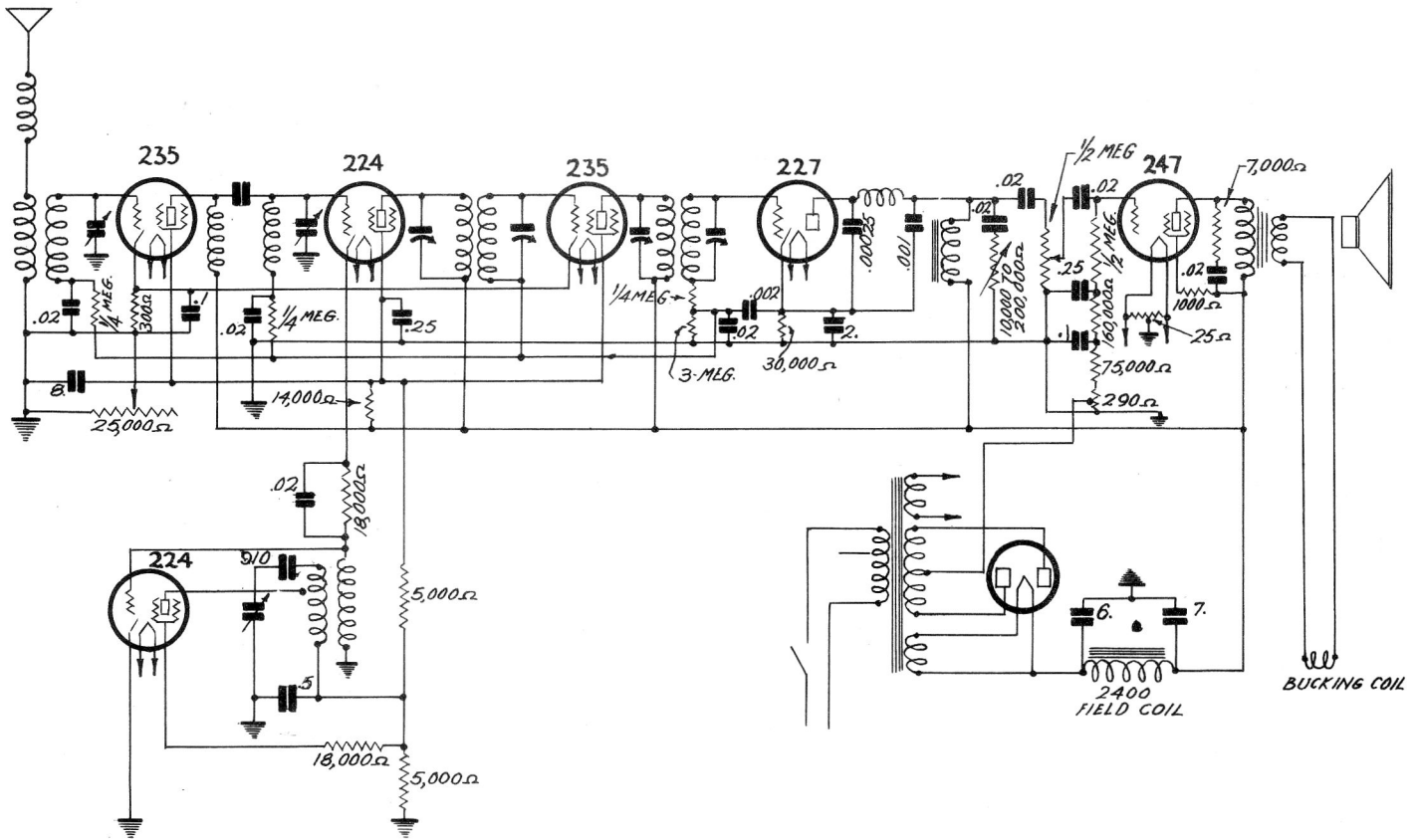


# MODEL - D 1931-32 IF 175 KC



# MODEL - B-H 1931-32 IF 175 KC

