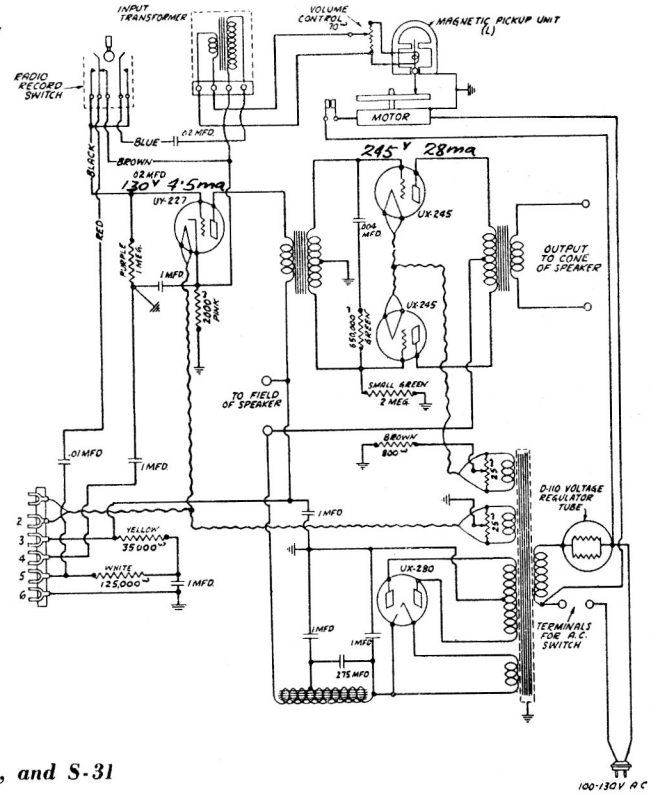
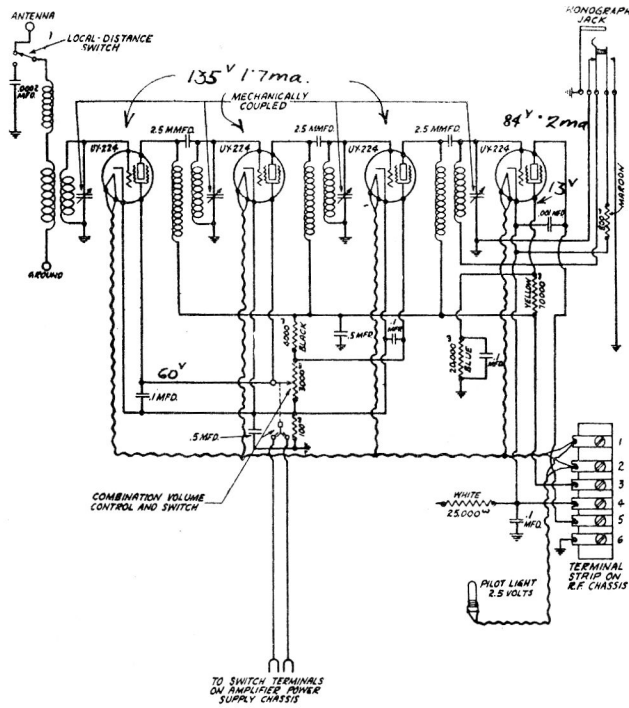


1929-30
 S-14 Lowboy
 S-21 Highboy
 S-31 Comb.

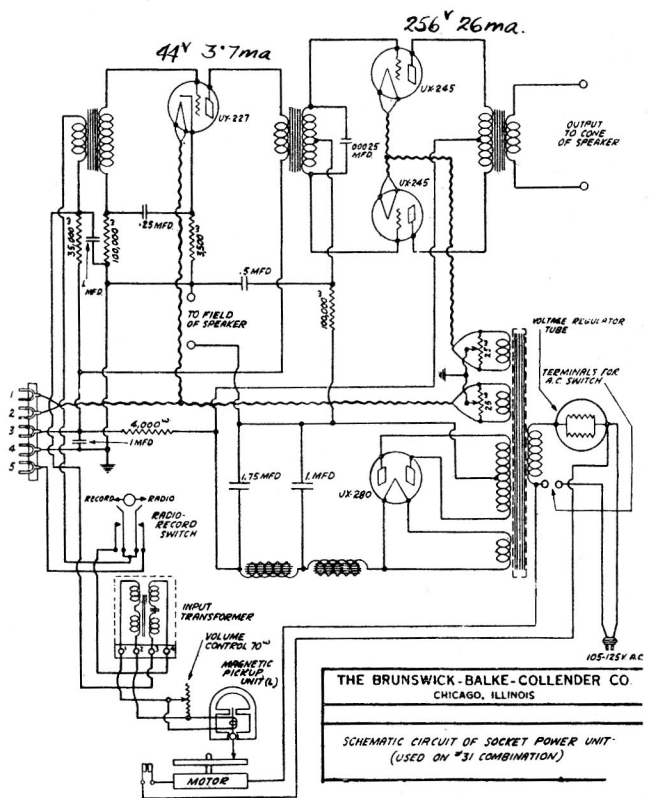
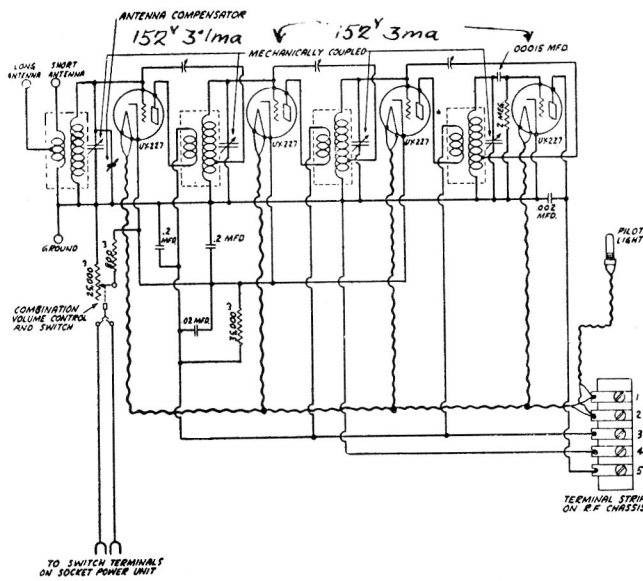


Models S-14, S-21, and S-31

SCHEMATIC CIRCUIT OF RADIO CHASSIS

SCHEMATIC CIRCUIT OF AUDIO AMPLIFIER POWER SUPPLY CHASSIS
 USED ON COMBINATION - 60 CYCLE

1929-30
 14 Lowboy
 21 Highboy
 31 Comb.



MODELS 14-21-31

SAME POWER UNIT USED FOR MODELS 14-21 EXCEPT THAT PICK-UP JACK IS USED INSTEAD OF PERMANENT PICK-UP ASSEMBLY.

THE BRUNSWICK-BALKE-COLLENDER CO
 CHICAGO, ILLINOIS
 SCHEMATIC CIRCUIT OF SOCKET POWER UNIT
 (USED ON *31 COMBINATION)

Printed in Canada.

Courtesy Brunswick-Balke-Colleander Co. Ltd.