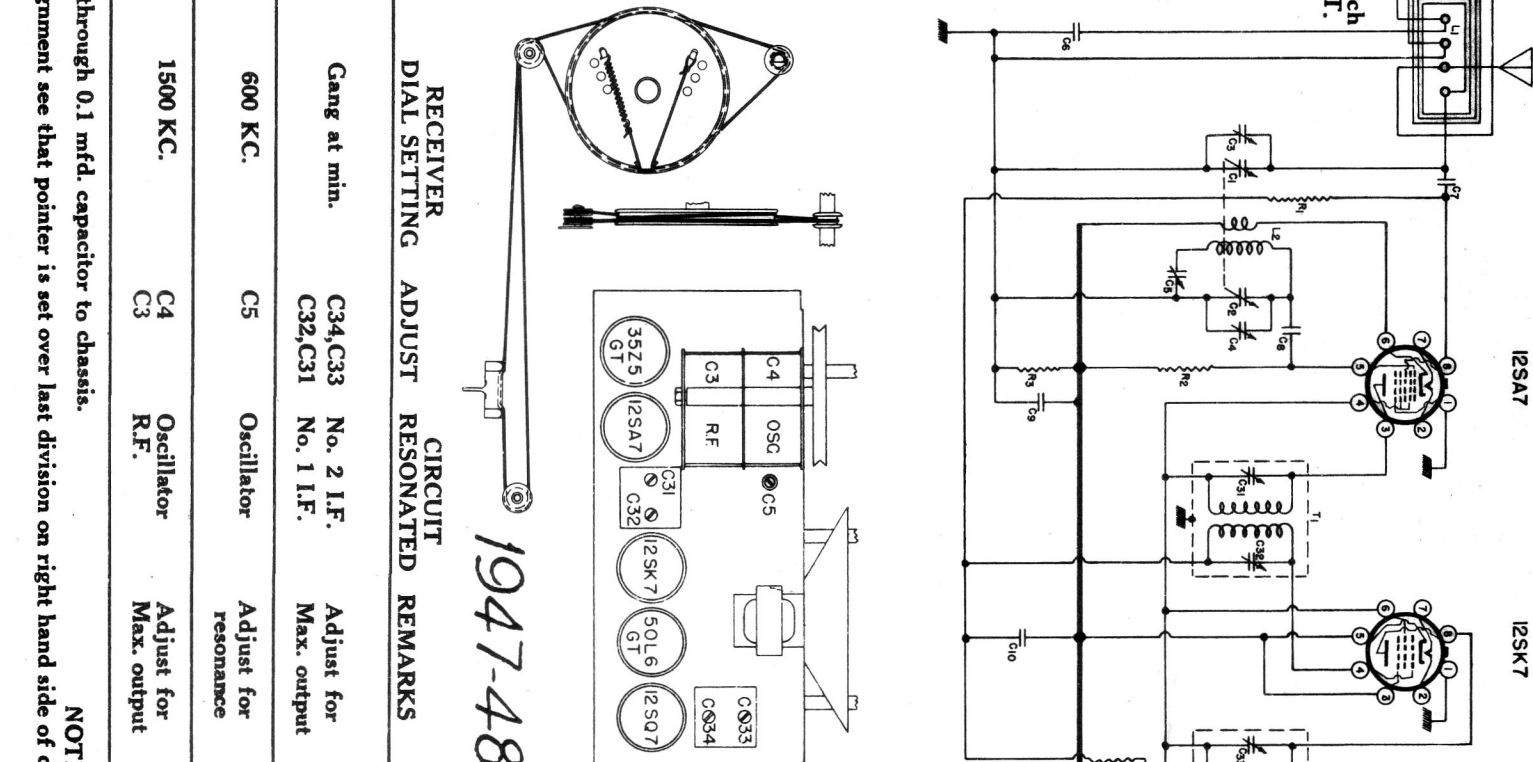


R 1	1 Megohm $\frac{1}{2} W$
R 2	22,000 ohms $\frac{1}{2}$
R 3	1 Megohm $\frac{1}{2} W$
R 4	2.2 Megohm $\frac{1}{2} W$
R 5	500,000 Pot. & Switch S.P.S.T.
R 6	220,000 $\frac{1}{2} W$
R 7	6.8 Megohm $\frac{1}{2} W$
R 8	470,000 $\frac{1}{2} W$
R 9	180 ohms $\frac{1}{2} W$
R 10	1500 ohms 1 Watt
C 1	R.F. Tuning
C 2	Osc. Tuning
C 3	R.F. Trimmer
C 4	Osc. Trimmer
C 5	600 mmfd.
C 6	.001 mfd.
C 7	.005 mfd.
C 8	100 mmfd.
C 9	.2 mfd.
C 10	.05
C 11	470 mmfd.
C 12	.005 mfd.
C 13	220 mmfd.
C 14	.01 mfd.
C 15	.02 mfd.
C 16	30 mfd. filter cond
C 17	60 mfd. filter cond
C 18	.02 mfd.



CONNECT S.G. OUTPUT	INPUT FREQUENCY	RECEIVER DIAL SETTING	CIRCUIT ADJUST	RESONATED	REMARKS
*12SA7	456 KC.	Gang at min.	C34, C33 No. 2 I.F. C32, C31 No. 1 I.F.	Adjust for Max. output	
†Ant. Lead	600 KC.	600 KC.	C5	Oscillator	Adjust for resonance
Ant. Lead	1500 KC.	1500 KC.	C4	Oscillator	Adjust for Max. output

NOTE—All voltages measured with line voltage of 117. V.

AC-DC MODEL DR-107 IF = 456 KC.

1947-48