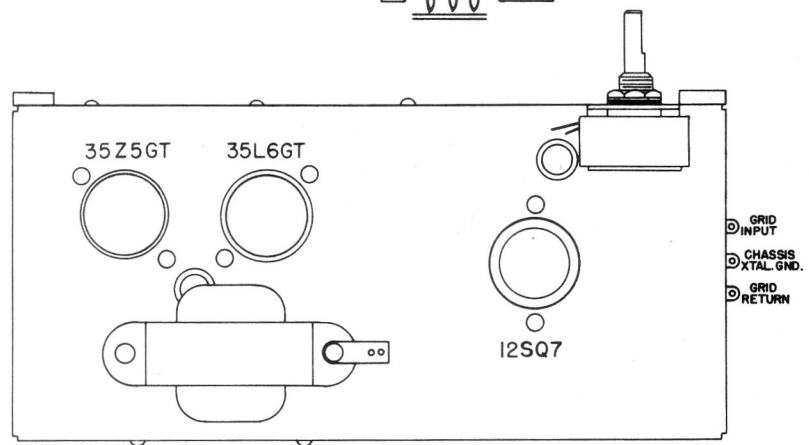


NOTE-
 DOTTED CONDENSER (C8)
 USED ON:
 P-102
 P-103-1
 (FARNSWORTH
 CHANGERS)

MOTOR ASSEMBLY

R 1	500,000 ohms Pot.	S.P.S.T. Sw
R 2	100,000 ohms	1/2 watt
R 3	100,000 ohms Pot.	
R 4	390,000 ohms	1/2 watt
R 5	3300 ohms	1/2 watt
R 6	270 ohms	1/2 watt
R 7	2200 ohms	1/2 watt
R 8	390 ohms	2 watt
R 9	230 ohms	10 watt
C 1	.02 mfd.	
C 2	.02 mfd.	
C 3	.01 mfd	
C 4	.003 mfd.	
C 5	30 mfd. Filter Condenser	
C 6	60 mfd. Filter Condenser	
C 8	25 mfd. Filter Condenser	
C 7	.03 mfd	



AMPLIFIER

1946-47 AC-PHONO AMPLIFIER MODELS P 102-P102X-P103-1