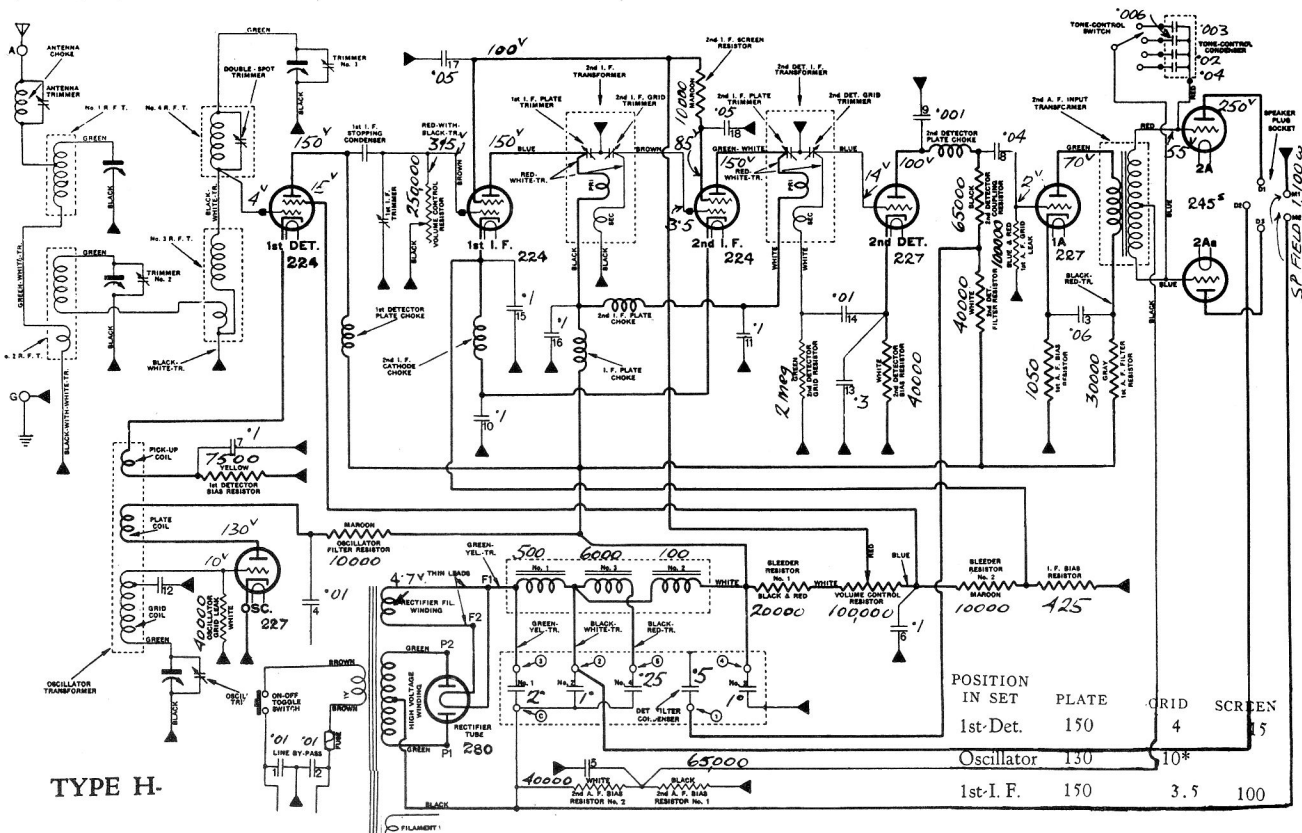


Model H 1931 I.F. 130kc



Models 80-80F-83-83F 1931 I.F. 130Kc

In Model 83 and 83-F, a filter-condenser unit is used and it is connected as shown in dotted lines. This unit is NOT used in Model 80 and 80-F. In Model 83, 83-F, the electrolytic filter condenser No. 1 is not used, and the filament circuit is slightly different.

