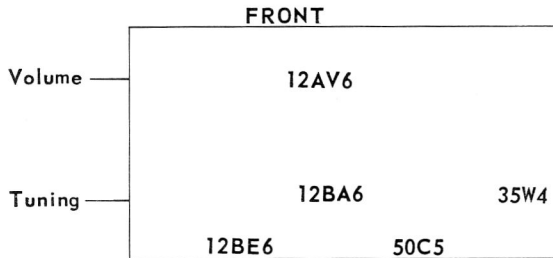


VIKING Service Information for Model

SPECIFICATIONS

Tuning Range 535 Kc - 1605 Kc
 Intermediate Frequency 455 Kc
 Undistorted Power Output..... 750 mw.
 Maximum Power Output..... 1.5 Watt
 Power Consumption (Radio & Clock)..... 25 Watt

When writing for Service Information or Parts
 please quote Model Number,
 Serial Number and finish of cabinet.



**FOR ALIGNMENT AND SENSITIVITY DATA
 SEE SCHEMATIC**

**Power Supply: 105-125 Volts A.C.,
 Cycle as Marked**

REMOVAL OF CLOCK

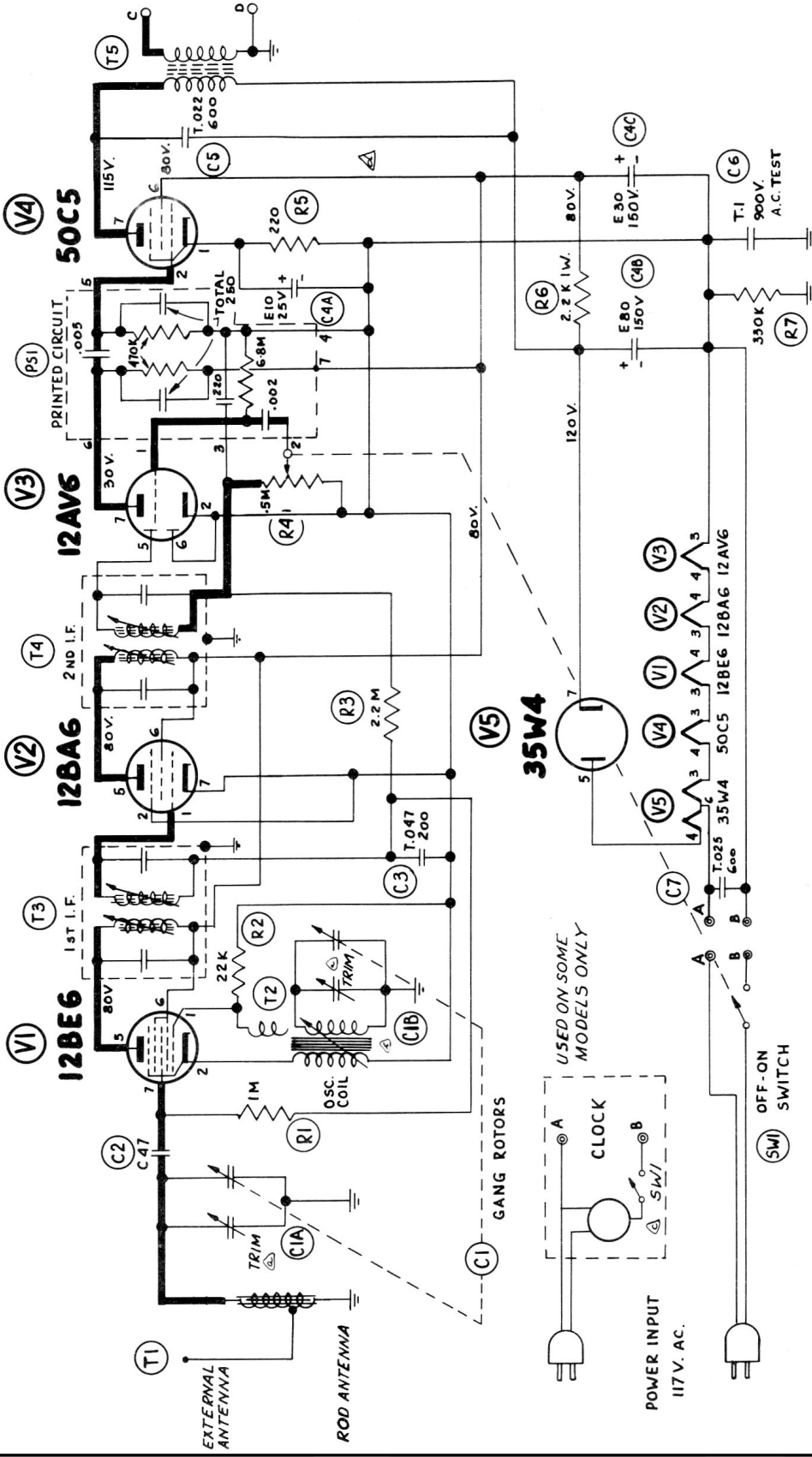
- Remove: (1) Tuning & Volume Control "Push-On" type knobs.
- (2) The clock "Push-On" type knob
- (3) Chassis retaining screws (2)
- (4) Slide Chassis from cabinet
- (5) Remove two screws and spacers and unsolder leads.

NOTE:

Should it be necessary to ship the clock separately at any time, make certain that it is properly packed to withstand transportation and so that the clockhands, time set shaft, etc., are not subject to strain.

REPLACEMENT PARTS LIST - RMK-316

Part No.	Description	Part No.	Description
12-15220-51	Cabinet - Plastic Mantel - Ivory	25-1-01	Telechron Clock 60 cycle
-52	" - " " - Brown	25-1-02	" " 25 "
-53	" - " " - Green	41-35-03	Control - Volume with AC Switch
-54	" - " " - Grey	44-6-03	Condenser - Electrolytic 10 ufd x 25V, 30 and 80 ufd x 150 DC WV
-55	" - " " - Coral	45-3-06	Gang Condenser
-56	" - " " - Chartreuse	50-2-01	Audet Printed Circuit
10-40007-01	4" P.M. Speaker	51-8-01	Rod. Antenna Assembly
21-404-01	I.F. Transformer 1st and 2nd	53-67-01	Clock Crystal
21-405-01	B.C. Osc. Coil	53-68-01	Knob - Tuning
24-80004-03	Output Transformer	53-80-01	" - Volume
		53-91-01	Viking Nameplate



COMPONENT VALUES

RESISTORS: 1/2 WATT, UNLESS OTHERWISE NOTED.
 20% TOL, UNLESS OTHERWISE NOTED.
 K = 1000 OHMS.
 M = 1,000,000 OHMS.

CONDENSERS: T = TUBULAR, FOLLOWED BY CAP. IN μ F & D.C. V.V.
 E = ELECTROLYTIC, FOLLOWED BY CAP. IN μ F. & D.C. V.V.
 C = CERAMIC, FOLLOWED BY CAP. IN μ F & TOL.
 IF CRITICAL

ALIGNMENT AND SENSITIVITY

STEP	APPLY SIGNAL KC.	THRU SERIES TUNING	SET GANG AT	ADJUST FOR MAX. OUTPUT	NOMINAL SENSITIVITY
1	455	12BA6*	.05 μ F.D.	MIN. CAP.	2000 μ V.
2	455	12BE6**7	.05 μ F.D.	MIN. CAP.	65 μ V.
3	1460	*ANT.	—	OSC. TRIMMER	—
4	1460	*ANT.	—	ANT. TRIMMER	275 μ V./M.
5	535	*ANT.	—	MAX. CAP.	CHECK ONLY
6	600	*ANT.	—	600	CHECK ONLY

* FASHION LOOP CONSISTING OF SEVERAL TURNS OF WIRE AND RADIATE SIGNAL, FROM GENERATOR TO LOOP OF RECEIVER.

WIRING DIAGRAM

CN. No.	DATE	CHANGE	CHK
57-454	5-27-57	TRIM ADDED (CIA) AND (CIB) (g.) REM. CORE. ADDED (T2) (k)	
		SW1 ADDED TO CLOCK (c)	
57-650	8-15-57	WAS B- FOR OUTLINE DRAWING. COR. (M)	