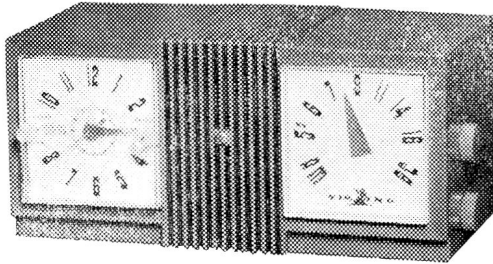


# VIKING Service Information for Model RMK-236R



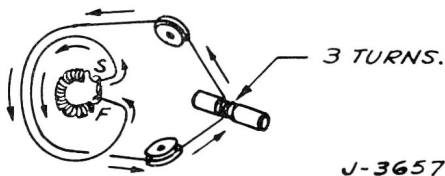
## SPECIFICATIONS

Tuning Range .....	530 Kc - 1640 Kc
Intermediate Frequency .....	455 Kc
Undistorted Power Output .....	700 mw.
Maximum Power Output .....	1.0 Watt
Power Consumption (Radio & Clock) .....	30 Watt

12AV6	12BA6	← (Top) TUNING
50C5	12BE6	
35W4		← VOLUME (Bottom)
CLOCK		

When writing for Service Information or Parts please quote Model Number Serial Number and finish of cabinet.

FOR ALIGNMENT AND SENSITIVITY DATA SEE SCHEMATIC



**Power Supply: 105-125 Volts A.C.,  
Cycle as Marked**

GANG COMPLETELY IN MESH.

## REMOVAL OF CLOCK

- Remove (1) Tuning and Volume Control "Push-On" type knobs
- (2) The clock "Push-On" type knobs.
- (3) The clock and dial "Snap-in" type crystals.
- (4) The dial "Push-in" type pointer.
- (5) Chassis retaining screws (2), and back mounting studs (2).

Slide chassis from cabinet to permit access to bottom of chassis and rear of clock.

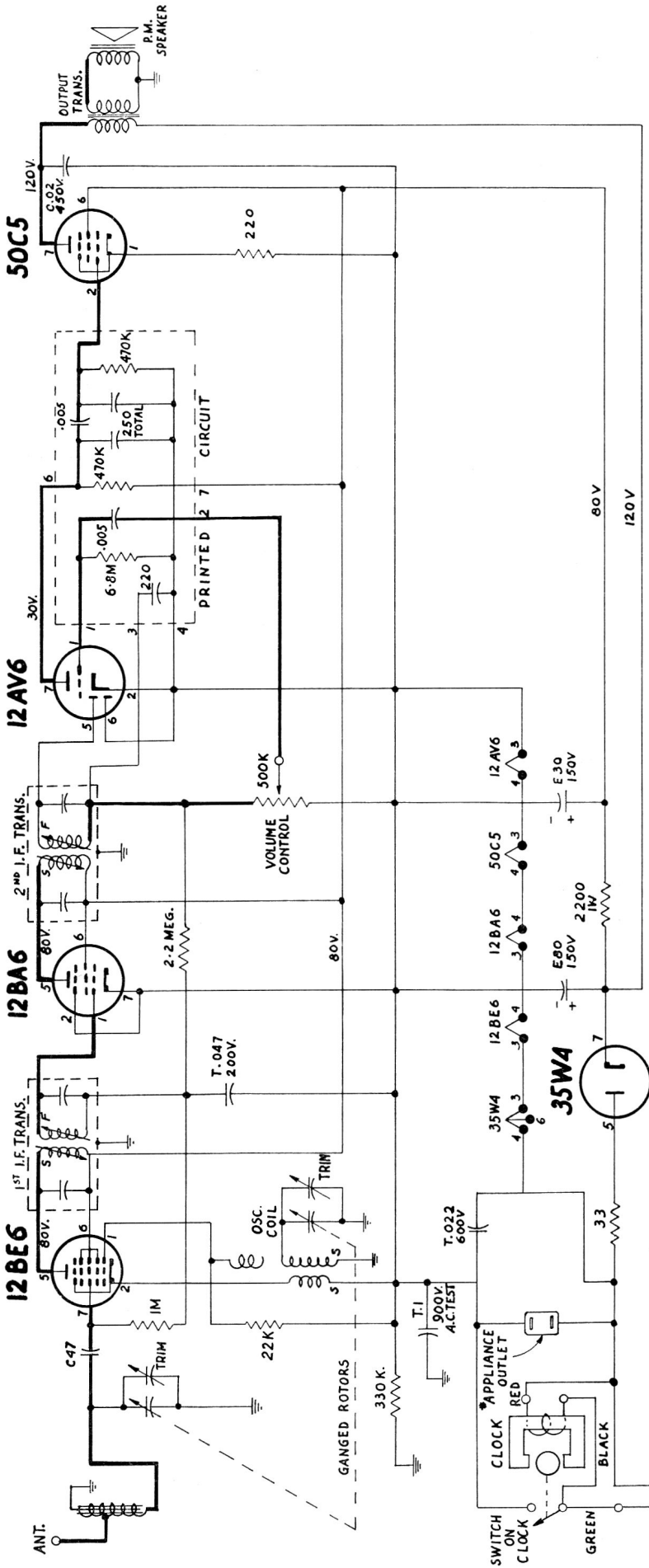
Remove two nuts holding clock retaining bracket and unsolder the two wires leading to the chassis and the line cord leads.

Should it be necessary to ship the clock separately at any time, make certain that it is properly packed to withstand transportation and so that the clock hands, time set shaft, etc., are not subject to strain.

## SERVICE REPLACEMENT PARTS LIST

A-2854.....Dial Crystal	G-567-2.....Dual Electrolytic
A-2855.....Clock Crystal	K-1503.....Printed Circuit
B-4563.....Dial Scale	K-1517.....Speaker
K-1439-2.....Line Cord	P-2438-1.....Osc. Coil
K-1516.....Pointer	P-2485R.....I.F. Trans. (1st and 2nd),
K-1514.....Clock — 60 cy.	P-2807.....Back and Loop Assembly
K-1515.....Clock — 25 cy.	R-305-2.....Volume Control
N-406-2.....Knob	V-388.....Gang Condenser and Drum Assembly

**THE T. EATON CO. LIMITED**  
C A N A D A



J-3658

**COMPONENT VALUES**  
 RESISTORS : HALF WATT UNLESS OTHERWISE SPECIFIED.  
 20% TOLERANCE UNLESS OTHERWISE SPECIFIED.  
 K: 1000 OHMS  
 M: 1,000,000 OHMS  
 CONDENSERS: T: TUBULAR, FOLLOWED BY CAP. IN MFD. AND D.C. W.V.  
 E: ELECTROLYTIC, FOLLOWED BY CAP. IN MMFD. & VOL. IF CRITICAL.  
 C: CERAMIC, FOLLOWED BY CAP. IN MMFD.

ALL VOLTAGES ± 10% MEASURED TO B - WITH A 20,000 OHM/VOLT METER.  
 \* LOAD NOT TO EXCEED 1100 WATTS A.C.

STEP	APPLY SIGNAL	THRU SERIES	TO DUMMY	SET GANG AT	ADJUST FOR MAX. OUTPUT	NOMINAL SENSITIVITY MILLIWATTS OUTPUT AT 400 c/s
1	455	12BA6	.05	MINIMUM CAPACITY	2ND I.F.	2200 μV
2	455	12BE6	.05	MINIMUM CAPACITY	1ST I.F.	60 μV
3	1650	ANT.	400 Ω	MINIMUM OSC. TRIM CAPACITY	OSC. TRIM	—
4	1460	ANT.	400 Ω	RESONANCE	ANT. TRIM	22 μV
5	600	ANT.	400 Ω	RESONANCE CHECK ONLY	CHECK ONLY	34 μV
6	530	ANT.	400 Ω	MAXIMUM CAPACITY	CHECK ONLY	—

C.N. No.	DATE	CHANGE	SYMB.	CH/K

RMK-236  
 WIRING DIAGRAM

4-12-55 G.H.P.

J-3658