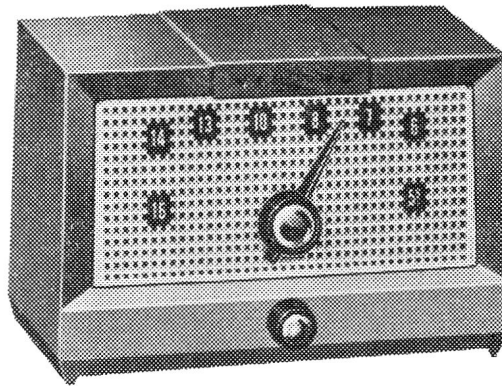


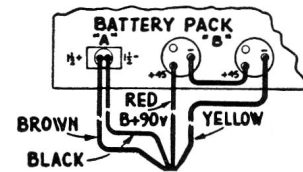
ROAMER Service Information for Model RMB-277



VOLUME			
GANG			
		1U5	
1R5	1U4		3V4

ANT. LEAD—BLUE
GND. LEAD—BLACK

When writing for service information, please quote Roamer Model, and Serial Number as shown.



FOR ALIGNMENT AND SENSITIVITY DATA SEE SCHEMATIC

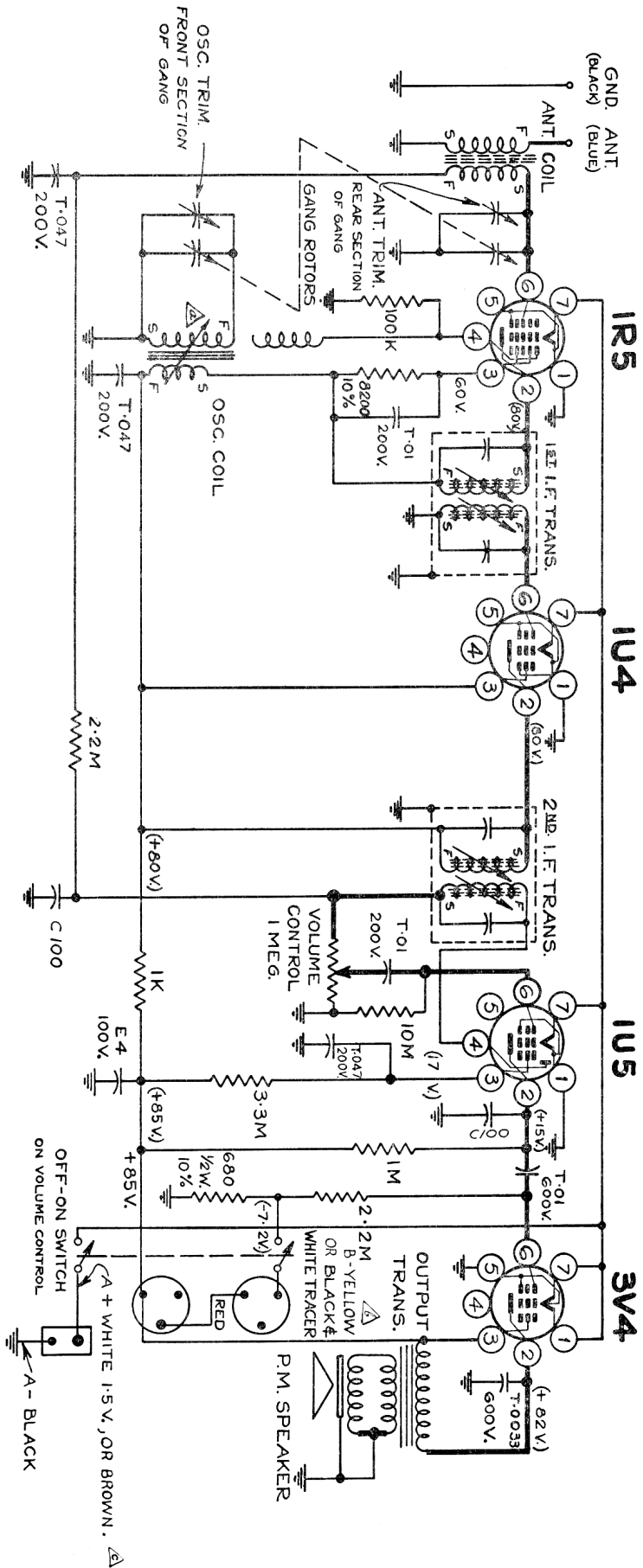
SERVICE REPLACEMENT PARTS LIST

- G-332.....Electrolytic Condenser 4 ufd 100V
- K-386.....Plug—"B" Battery
- K-801.....Plug—"A" Battery
- K-1427-7.....Speaker—4" P.M.
- LK-423-6.....Output Transformer 3.2 ohm VC
- P-2277-1.....B.C. Ant. Coil
- P-2438-2.....B.C. Osc. Coil
- P-2893.....I.F. Transformer (2nd)
- P-2894.....I.F. Transformer (1st)
- R-316-3.....Vol. Control with Switch
- V-385-2.....Gang Condenser

INSTALLATION

- A-3013-1.....Cabinet—Ivory
- A-3013-2.....Cabinet—Bronze
- A-3013-3.....Cabinet—Red
- A-3014.....Baffle
- N-492.....Knob—Volume Control
- N-493.....Knob—Pointer

THE T. EATON CO LIMITED
C A N A D A



COMPONENT VALUES

RESISTORS: HALF WATT UNLESS OTHERWISE NOTED.
20% TOLERANCE UNLESS OTHERWISE NOTED.
K = 1000 OHMS
M = 1,000,000 OHMS.

CONDENSERS: TUBULAR, FOLLOWED BY CAP IN MFD & DCWV.
E = ELECTROLYTIC, FOLLOWED BY CAP IN MFD & DCWV.
F = FILM, FOLLOWED BY CAP IN MFD & TOL. IF CRITICAL.

STEP	APPLY SIGNAL	THRU SERIES DUMMY	SET GANG AT	ADJUST FOR NOMINAL SENSITIVITY
	FR K.C.	TO		MAX. OUTPUT FOR 50 MILLI WATT OUTPUT
1	455	IU4	MIN. CAP.	4000
2	455	IR5	MIN. CAP.	150
3	1640	ANT.	MIN. CAP.	OSC. TRIM.
4	1450	ANT.	MAX. OUTPUT	ANT. TRIM.
5	540	ANT.	MAX. CAP.	CHECK ONLY

INT. FREQ. 455 KC.
VOLTAGES MARKED IN BRACKETS MEASURED TO CHASSIS WITH A 20,000 OHM/VOLT METER ON 100 VOLT RANGE.

U-3113

NOTE: BATTERY CABLE LEAD COLOURS ON THIS MODEL ARE A+1½V.—BROWN B+90—RED A-1½V.—BLACK B-90—YELLOW