

SERVICE INFORMATION AND PARTS LIST for the

VIKING

MODELS

RM718
RM719
RMK720
RMK721
RM722
RMK723

RM718, RM719, RM722 5 Tube, 1 Band, Radio

RMK720, RMK721, RMK723 5 Tube, 1 Band, Clock Radio

When writing for Service Information and/or parts, please quote Model and Serial Number as found on the license label. Always order service parts by part number. Part numbers are positive identification which ensures fast service and correct replacement. When ordering installation items please quote cabinet finish colour.

All information printed in this leaflet is up to date as of Jan. 1965. Subsequent changes are covered by bulletin.

SPECIFICATIONS

Tuning Range 535 - 1650 Kc.
I.F. Frequency 455 Kc.
Undistorted Power Output75 Watts
Maximum Power Output 1.5 Watts
Power Consumption3A @ 117V

Power Supply

RMK720,721,723 110-120 Volts AC 60 cy. only
RM718,719,722 110-120 Volts AC 25/60 cy. or
110-120 Volts DC

SEE SCHEMATIC FOR ALIGNMENT INSTRUCTIONS

CLOCK REMOVAL INSTRUCTIONS

RMK 721

1. Remove two screws at back and two at bottom of cabinet.

RMK 723

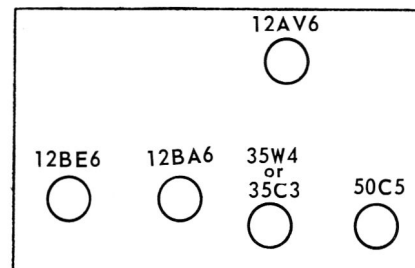
2. Remove four screws holding back.
3. Remove two screws mounting front of cabinet (inside).
4. Remove two screws at bottom of cabinet.

RMK 721, 723

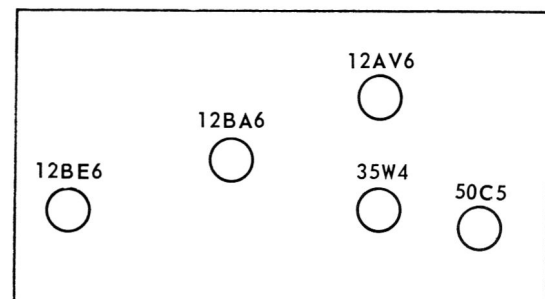
5. Remove cabinet front and chassis assembly.
6. Remove two screws on volume control and one on gang condenser.
7. Unsolder clock and speaker leads.
8. Remove push on type knobs and snap in crystal and carefully remove clock hands.
9. Slide chassis from cabinet front.
10. Remove three speed clips and rubber washers.

NOTE: When re-assembling be sure that all hands are at the '12' position on the clock dial.

TUBE LAYOUT (RM 718, RMK 720)



TUBE LAYOUT (RM 719, 722, RMK 722, 723)



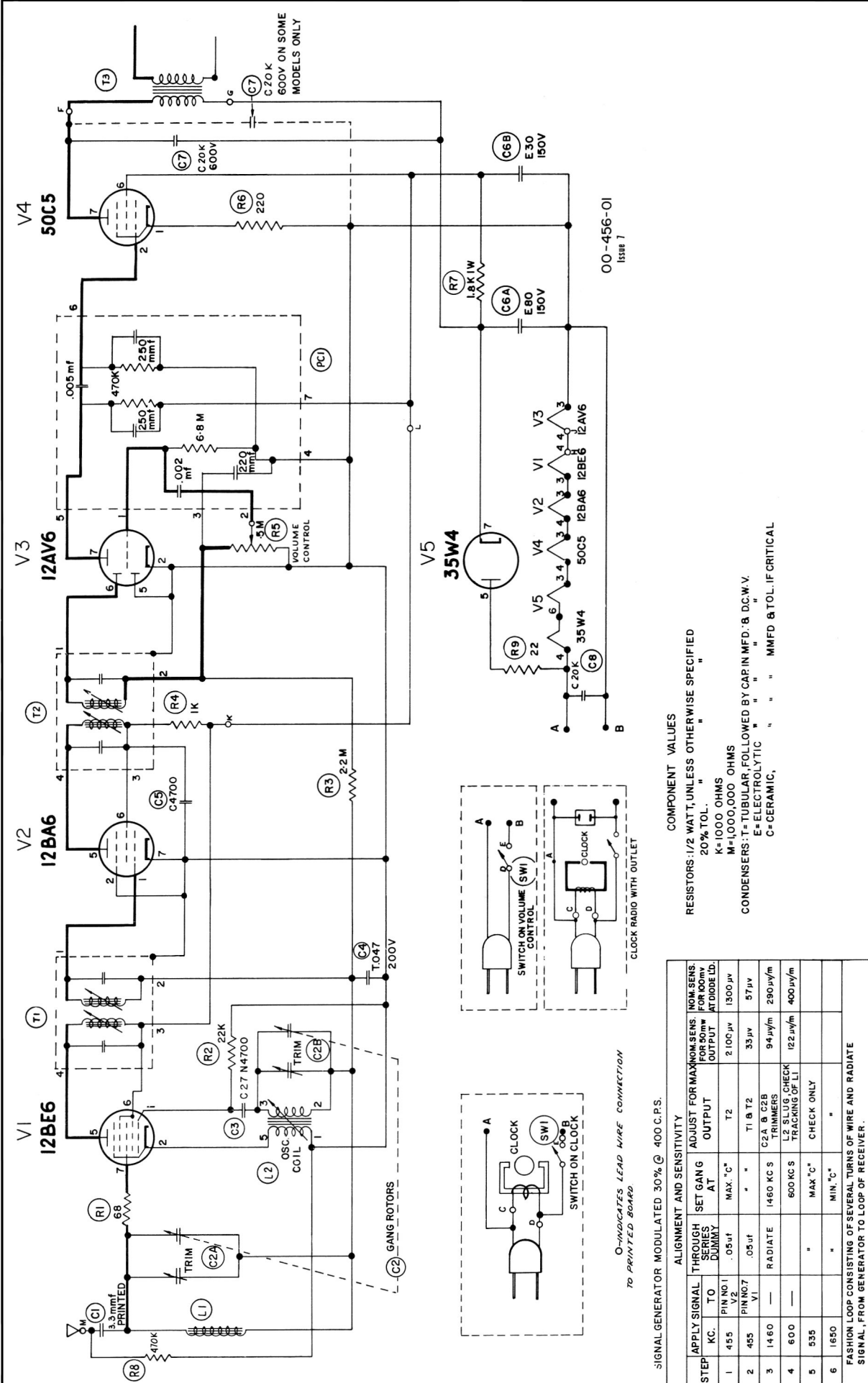
CLOCK REMOVAL INSTRUCTIONS (RMK720)

1. Remove two screws at back of cabinet.
2. Remove push on type knobs.
3. Remove two screws on volume control and one on gang condenser.
4. Unsolder clock and speaker leads.
5. Slide chassis from cabinet.
6. Remove snap-in type crystal and carefully remove clock hands.
7. Remove two speed clips and two rubber washers.
8. Remove clock.

NOTE: When re-assembling be sure that all hands are at the '12' on the clock dial.

EATON'S OF CANADA

SCHEMATIC - RM719, 721, RMK722, 723



SIGNAL GENERATOR MODULATED 30% @ 400 C.P.S.

ALIGNMENT AND SENSITIVITY

STEP	APPLY SIGNAL THROUGH PIN NO. 1	THROUGH PIN NO. 2	ADJUST FOR MAXIMUM OUTPUT AT	NOM. SENS. FOR 50mv OUTPUT AT DIODE LB.
1	455	.05µt	MAX. °C	2 100-µv 1300 µv
2	455	.05µt	" "	33 µv 57 µv
3	1460	—	1460 KC S	94 µv/m 290 µv/m
4	600	—	600 KC S	122 µv/m 400 µv/m
5	535	—	MAX °C	CHECK ONLY
6	1650	—	MIN. °C	" "

FASHION LOOP CONSISTING OF SEVERAL TURNS OF WIRE AND RADIATE SIGNAL FROM GENERATOR TO LOOP OF RECEIVER.

O-INDICATES LEAD WIRE CONNECTION TO PRINTED BOARD

COMPONENT VALUES

RESISTORS: 1/2 WATT, UNLESS OTHERWISE SPECIFIED 20% TOL.

K=1000 OHMS

M=1,000,000 OHMS

CONDENSERS: T=TUBULAR, FOLLOWED BY CAP IN MFD. B. DC.W.V.

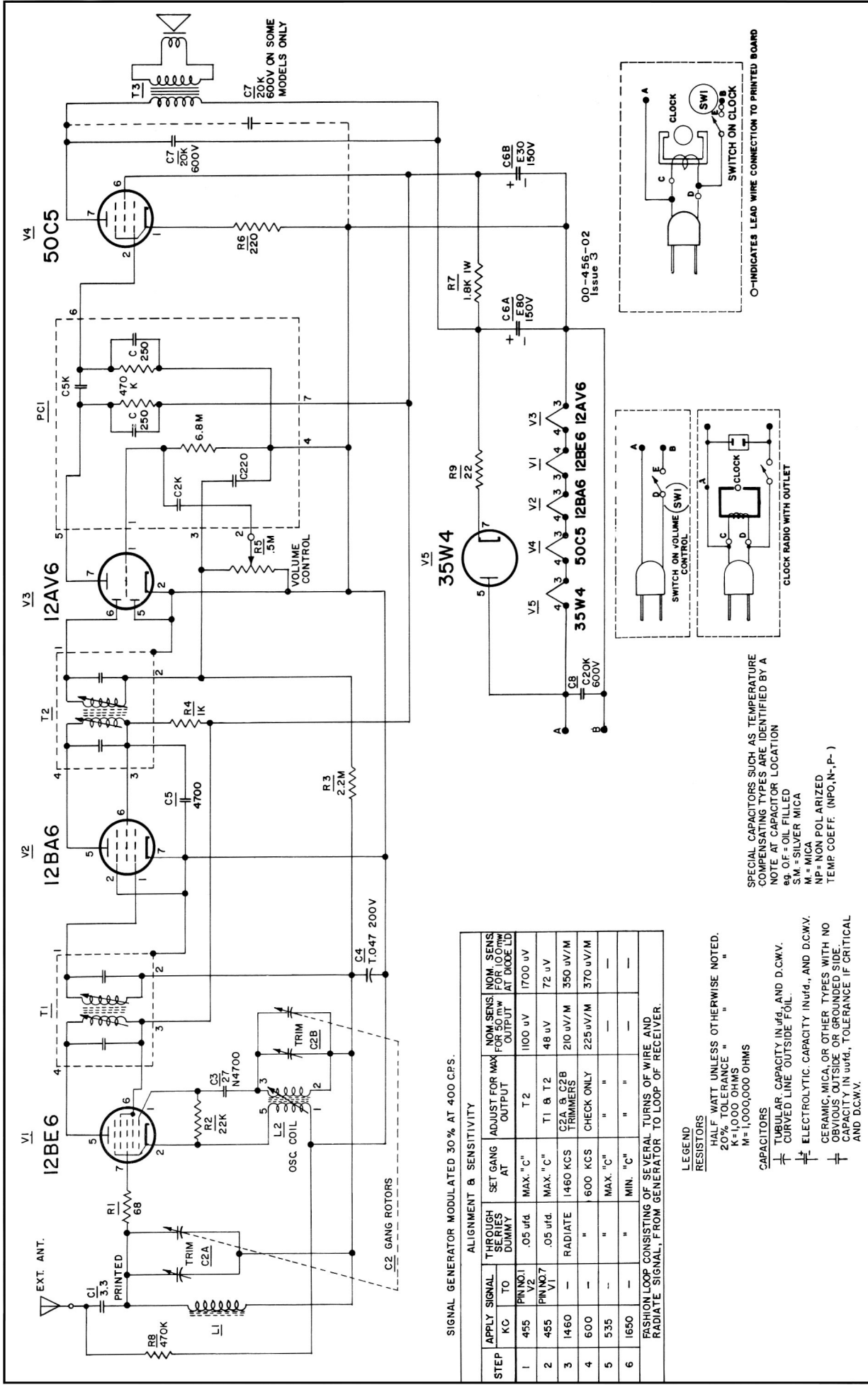
E=ELECTROLYTIC

C=CERAMIC,

" " " MMFD & TOL. IF CRITICAL

OO-456-01
Issue 7

SCHEMATIC - RM718, RMK720



ALIGNMENT & SENSITIVITY

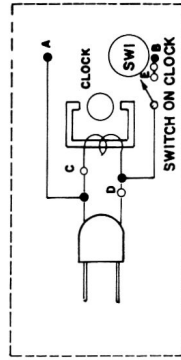
STEP	APPLY SIGNAL KC	THROUGH SERIES DUMMY	SET GANG AT	ADJUST FOR MAX OUTPUT	NOM SENS FOR 50 mW AT 100 MHz	NOM SENS FOR 100 mW AT 100 MHz
1	455	PIN NO. 1 V2	MAX. "C"	T 2	100 uV	1700 uV
2	455	PIN NO. 7 V1	MAX. "C"	T 1 & T 2	48 uV	72 uV
3	1460	-	RADIATE	C2A & C2B TRIMMERS	210 uV/M	350 uV/M
4	600	-	-	600 KCS CHECK ONLY	225 uV/M	370 uV/M
5	535	-	MAX. "C"	" "	" "	" "
6	1650	-	MIN. "C"	" "	" "	" "

FASHION LOOP CONSISTING OF SEVERAL TURNS OF WIRE AND RADIATE SIGNAL, FROM GENERATOR TO LOOP OF RECEIVER.

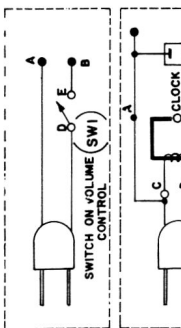
LEGEND

- RESISTORS
 - HALF WATT UNLESS OTHERWISE NOTED.
 - 20% TOLERANCE
 - K=1,000 OHMS
 - M=1,000,000 OHMS
- CAPACITORS
 - TUBULAR, CAPACITY IN uF, AND D.C.W.V.
 - CURVED LINE OUTSIDE FOIL
 - ELECTROLYTIC, CAPACITY IN uFd., AND D.C.W.V.
 - CERAMIC, MICA, OR OTHER TYPES WITH NO OBVIOUS OUTSIDE OR GROUNDED SIDE.
 - CAPACITY IN uFd., TOLERANCE IF CRITICAL AND D.C.W.V.

SPECIAL CAPACITORS SUCH AS TEMPERATURE COMPENSATING TYPES ARE IDENTIFIED BY A NOTE AT CAPACITOR LOCATION
 uF. = OIL FILLED
 uF. = SILVER MICA
 M = MICA
 NP = NON POLARIZED
 TEMP. COEFF. (NPO, N-P, P)



O INDICATES LEAD WIRE CONNECTION TO PRINTED BOARD



O INDICATES LEAD WIRE CONNECTION TO PRINTED BOARD



O INDICATES LEAD WIRE CONNECTION TO PRINTED BOARD

00-456-02
Issue 3

SERVICE REPLACEMENT PARTS LIST

FINAL ASSEMBLY (RM 718, RMK 720)

Part No.	Description	
12-80006-01	Plastic Cabinet - White	} RM 718
12-80006-09	Plastic Cabinet - Aqua Marine	
12-80006-10	Plastic Cabinet - Dusky Rose	
12-80006-04	Plastic Cabinet - Sand	} RMK 720
12-80006-05	Plastic Cabinet - White	
12-80006-11	Plastic Cabinet - Aqua Marine	
12-80006-12	Plastic Cabinet - Dusky Rose	
12-80006-08	Plastic Cabinet - Sand	
19-40017-09	Speaker - 4" PM - 4 ohm VC	
24-80059-01	Audio Output Transformer - 4 ohm VC	
25-22-03	Clock Timer	} RMK 720
25-24-01	Alarm Hand	
25-24-08	Hour Hand	
25-24-09	Minute Hand	
25-24-06	Second Hand	
30-351-01	Clock Face	
53-758-06	Knob Tuning	
53-744-04	Knob Volume	
53-751-03	Viking Nameplate (RM 718)	

FINAL ASSEMBLY (RM 719, RMK 721)

Part No.	Description	
12-80008-01	Plastic Cabinet - Front - White (RM 719)	} RM 719
12-80008-02	Plastic Cabinet - Front - White (RMK 721)	
12-80005-05	Plastic Cabinet - Back - White	
12-80005-06	Plastic Cabinet - Back - Turquoise	
12-80005-07	Plastic Cabinet - Back - Sand	
12-80005-08	Plastic Cabinet - Back - Charcoal	} RMK 721
12-80005-13	Plastic Cabinet - Back-White	
12-80005-14	Plastic Cabinet - Back-Turquoise	
12-80005-15	Plastic Cabinet - Back - Sand	
12-80005-16	Plastic Cabinet - Back - Charcoal	
19-30006-01	Speaker - 3 1/2" PM - 4 ohm VC	
24-80052-03	Audio Output Transformer - 4 ohm VC	
25-17-04	Clock Timer (RMK 721)	} RMK 721
25-24-01	Alarm Hand	
25-24-03	Hour Hand	
25-24-05	Minute Hand	
25-24-06	Second Hand	
30-305-01	Clock Face	
53-759-01	Knob - Tuning	
53-759-02	Knob - Volume	
53-764-01	Knob - Clock (RMK 721)	

FINAL ASSEMBLY (RM 722, RMK 723)

Part No.	Description	
12-80008-03	Plastic Cabinet - Front - Charcoal (RM 722)	} RMK 723
12-80008-04	Plastic Cabinet - Front - Charcoal (RMK 723)	
19-30006-01	Speaker - 3 1/2" PM - 4 ohm VC	
24-80052-03	Audio Output Transformer - 4 ohm VC	
25-17-04	Clock Timer	} RMK 723
25-24-06	Second Hand	
25-24-07	Alarm Hand	
25-24-08	Hour Hand	
25-24-09	Minute Hand	
30-305-02	Clock Face	
53-759-03	Knob Tuning	
53-759-04	Knob - Volume	
53-764-02	Knob - Clock (RMK 723)	

CHASSIS ASSEMBLY (all models)

Symbol	Part No.	Description
T1, T2	21-434-02	IF Transformer - first and second
L2	21-456-01	BC Oscillator Coil
SW1, R5	41-215-46	Control - Volume (500K) AC Switch (RM 718, RM 719, RM 722)
R5	41-215-47	Control - Volume - 500K (RMK 719, RMK 721, RMK 723)
C6	44-120-01	Electrolytic - 80, 30 ufd 150V
C2	45-43-02	Gang Condenser
PC1	50-7-01	Audet Printed Circuit
L1	51-29-01	Rod Antenna (RMK 722, RMK 723)
L1	51-30-01	Rod Antenna (RM 719, RM 721)
L1	51-39-01	Rod Antenna (RM 718, RMK 720)